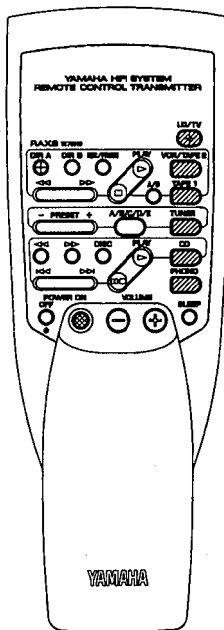
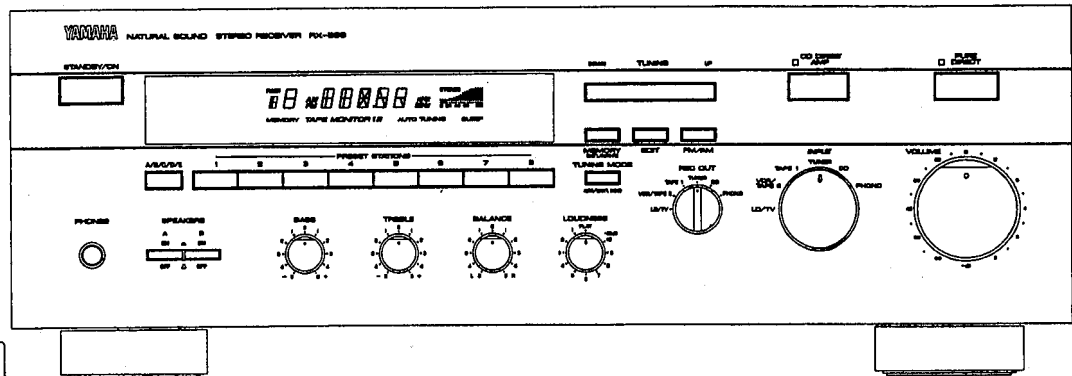


STEREO RECEIVER

RX-596

SERVICE MANUAL



IMPORTANT NOTICE

This manual has been provided for the use of authorized YAMAHA Retailers and their service personnel. It has been assumed that basic service procedures inherent to the industry, and more specifically YAMAHA Products, are already known and understood by the users, and have therefore not been restated.

WARNING: Failure to follow appropriate service and safety procedures when servicing this product may result in personal injury, destruction of expensive components, and failure of the product to perform as specified. For these reasons, we advise all YAMAHA product owners that any service required should be performed by an authorized YAMAHA Retailer or the appointed service representative.

IMPORTANT: The presentation or sale of this manual to any individual or firm does not constitute authorization, certification or recognition of any applicable technical capabilities, or establish a principle-agent relationship of any form.

The data provided is believed to be accurate and applicable to the unit(s) indicated on the cover. The research, engineering, and service departments of YAMAHA are continually striving to improve YAMAHA products. Modifications are, therefore, inevitable and specifications are subject to change without notice or obligation to retrofit. Should any discrepancy appear to exist, please contact the distributor's Service Division.

WARNING: Static discharges can destroy expensive components. Discharge any static electricity your body may have accumulated by grounding yourself to the ground buss in the unit (heavy gauge black wires connect to this buss).

IMPORTANT: Turn the unit OFF during disassembly and part replacement. Recheck all work before you apply power to the unit.

CONTENTS

TO SERVICE PERSONNEL	1	DISPLAY DATA	10
INTERNAL VIEW	1	IC DATA	11~12
REAR PANELS	2	PRINTED CIRCUIT BOARD	13~23
SPECIFICATIONS	3~4	BLOCK DIAGRAM	24~25
DISASSEMBLY PROCEDURES	4	SCHEMATIC DIAGRAM	26~29
AMP ADJUSTMENTS	5	PARTS LIST	30~38
TEST MODE	5	REMOTE CONTROL TRANSMITTER	39
TUNER ADJUSTMENTS	6~9		

100638

Copyright 2003 YAMAHA CORPORATION
 This manual is copyrighted by YAMAHA and may not be copied or redistributed either in print or electronically without permission.

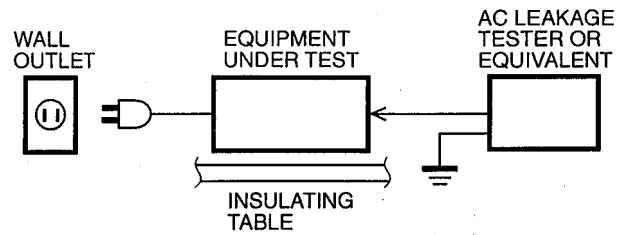
YAMAHA
 YAMAHA CORPORATION
 P.O. Box 1, Hamamatsu, Japan

1.75K-346 Printed in Japan '98.6

RX-596

■ TO SERVICE PERSONNEL

1. Critical Components Information.
Components having special characteristics are marked Δ and must be replaced with parts having specifications equal to those originally installed.
2. Leakage Current Measurement (For 120V Models Only).
When service has been completed, it is imperative to verify that all exposed conductive surfaces are properly insulated from supply circuits.
 - Meter impedance should be equivalent to 1500 ohm shunted by 0.15 μ F.
 - Leakage current must not exceed 0.5mA.
 - Be sure to test for leakage with the AC plug in both polarities.



WARNING: CHEMICAL CONTENT NOTICE!

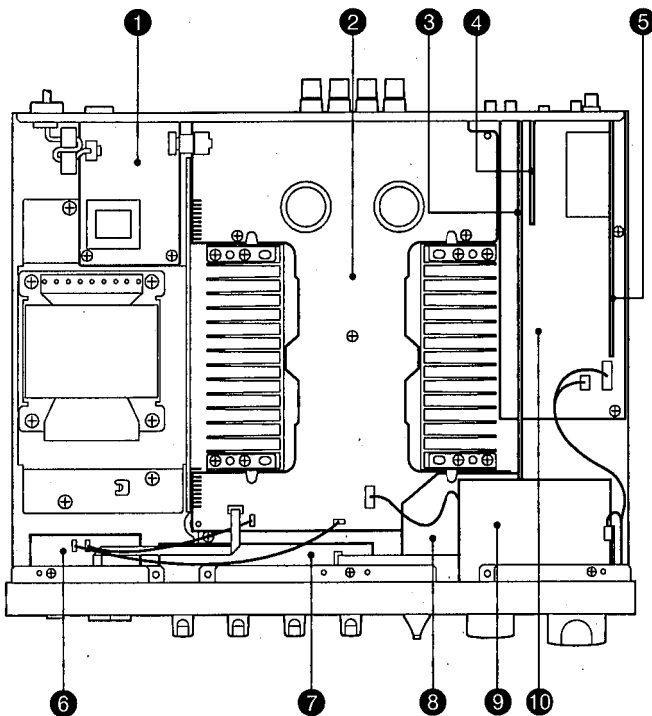
The solder used in the production of this product contains LEAD. In addition, other electrical/electronic and/or plastic (where applicable) components may also contain traces of chemicals found by the California Health and Welfare Agency (and possibly other entities) to cause cancer and/or birth defects or other reproductive harm.

DO NOT PLACE SOLDER, ELECTRICAL/ELECTRONIC OR PLASTIC COMPONENTS IN YOUR MOUTH FOR ANY REASON WHATSOEVER!

Avoid prolonged, unprotected contact between solder and your skin! When soldering, do not inhale solder fumes or expose eyes to solder/flux vapor!

If you come in contact with solder or components located inside the enclosure of this product, wash your hands before handling food.

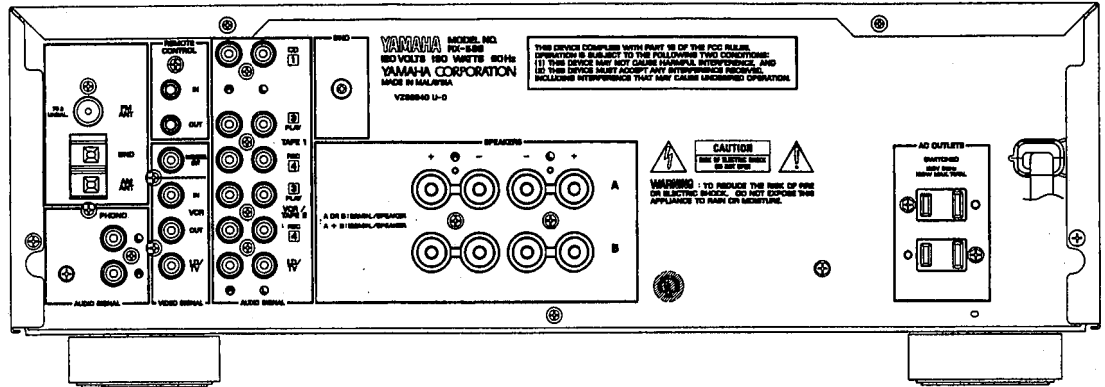
■ INTERNAL VIEW



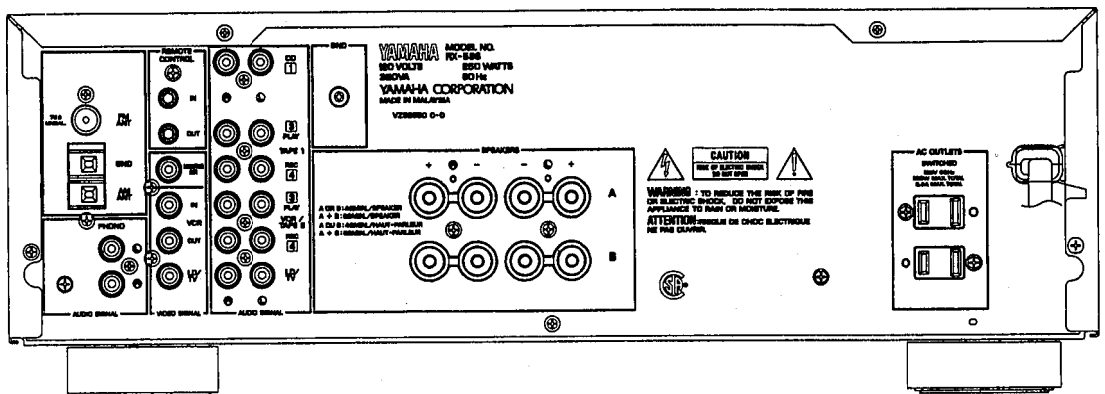
- ① P. C. B. MAIN (2)
- ② P. C. B. MAIN (1)
- ③ P. C. B. FUNCTION (1)
- ④ P. C. B. OPERATION (2)
- ⑤ P. C. B. TUNER
- ⑥ P. C. B. FUNCTION (7)
- ⑦ P. C. B. FUNCTION (4)
- ⑧ P. C. B. FUNCTION (2)
- ⑨ P. C. B. FUNCTION (3)
- ⑩ P. C. B. FUNCTION (5)

■ REAR PANELS

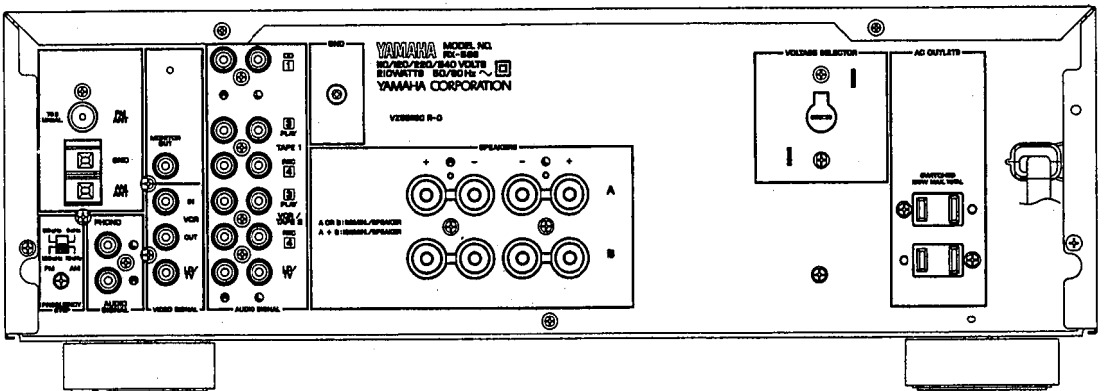
▼ U model



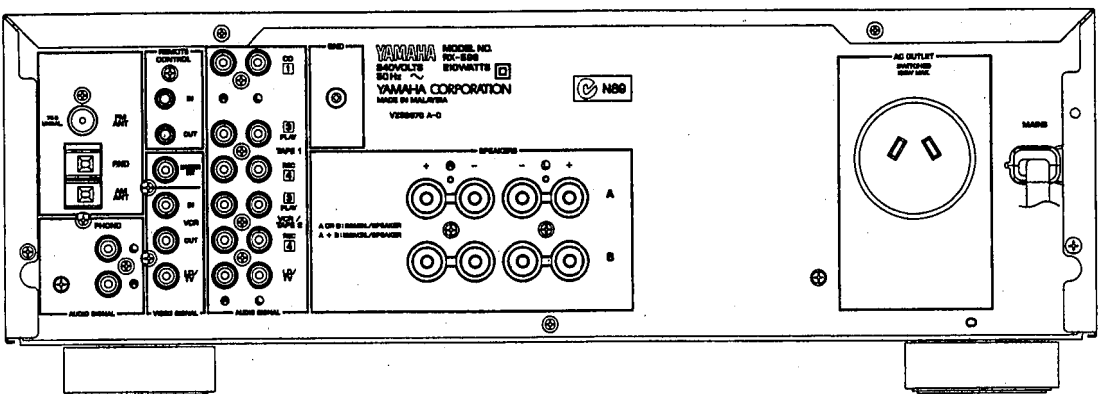
▼ C model



▼ R model



▼ A model



RX-596

■ SPECIFICATIONS

■ AUDIO SECTION

Minimum RMS Output Power per Channel	
8 ohms, 20Hz to 20kHz, 0.025% THD	80W
6 ohms, 20Hz to 20kHz, 0.05% THD	90W
Dynamic Power per Channel (IHF)	
8/6/4/2 ohms	120/140/180/200W
Power Band Width	
8 ohms, 40W, 0.05% THD	10Hz to 50kHz
Damping Factor	
8 ohms, 20Hz to 20kHz	240 or more
Maximum Power (EIAJ) (R model only)	
8/6 ohms, 1kHz, 10%THD	130/150W
Input Sensitivity/Impedance	
PHONO MM	2.5mV/47k-ohms
CD etc	150mV/47k-ohms
Maximum Input Signal Level (1kHz, 0.003% THD)	
PHONO MM	115mV
Output Level/Impedance	
REC OUT (PHONO)	150mV/1.5k-ohms
Headphone Jack Rated Output/Impedance	
0.025% THD, RL=8 ohms	0.3V/680 ohms
Frequency Response (20Hz to 20kHz)	
CD etc	0±0.5dB
RIAA Equalization Deviation (20Hz to 20kHz)	
PHONO MM	0±0.5dB
Total Harmonic Distortion (20Hz to 20kHz)	
PHONO MM to REC OUT (3V)	0.003%
CD etc to SP OUT (40W/8 ohms)	0.01%
Signal-to-Noise Ratio (IHF-A Network)	
PHONO MM (5mV Input Shorted)	88dB
CD DIRECT (Shorted)	110dB
Residual Noise (IHF-A Network)	
CD DIRECT	35µV
PURE DIRECT	90µV
Channel Separation (1kHz, Vol. -30dB)	
CD etc (input 5.1k-ohms Terminated)	65dB
Tone Control Characteristics	
BASS : Boost/cut	±10dB (20Hz)
Turnover Frequency	350Hz
TREBLE: Boost/cut	±10dB (20kHz)
Turnover Frequency	3.5kHz
Continuous Loudness Control	
(Level related equalization)	-30dB (1kHz)

■ FM SECTION

Tuning Range	
U, C models	87.5 to 107.9MHz
A model	87.50 to 108.00MHz
R model	87.5 to 107.9/87.50 to 108.00MHz
50dB Quieting Sensitivity (IHF, 75 ohms)	
Mono	1.55µV (15.1dBf)
Stereo	21µV (37.7dBf)
Usable Sensitivity (75 ohms)	
30dB S/N Quieting (1kHz, 100% mod.)	0.8µV (9.3dBf)
DIN, Mono (S/N 26dB)	0.9µV
DIN, Stereo (S/N 46dB)	24µV
Image Response Ratio	
	45dB
IF Response Ratio	
	70dB
Spurious Response Ratio	
	70dB
AM Suppression Ratio	
	55dB
Capture Ratio	
	1.5dB
Alternate Channel Selectivity	
	85dB
Signal-to-Noise Ratio (IHF)	
Mono/Stereo	80/75dB
Harmonic Distortion (1kHz)	
Mono/Stereo	0.1/0.2%
Stereo Separation (1kHz)	
	50dB
Frequency Response	
20Hz to 15kHz	0±1.5dB
Output Level	
FM (100% mod., 1kHz)	500mV

■ AM SECTION

Tuning Range	
U, C models	530 to 1,710kHz
A model	531 to 1,611kHz
R model	530 to 1,710/531 to 1,611kHz
Usable Sensitivity	
	100µV/m
Selectivity	
	32dB
Signal-to-Noise Ratio	
	50dB
Image Response Ratio	
	40dB
Spurious Response Ratio	
	50dB
Harmonic Distortion (400Hz)	
	0.3%
Output Level	
AM (30% mod., 400Hz)	150mV

■ VIDEO SECTION

Video Signal Level	1Vp-p/75Ω
Maximum Input Level	1.5Vp-p
Signal-to-Noise Ratio	50dB
Monitor Output Frequency Response ..	5Hz~10MHz, -3dB

■ GENERAL

Power Supply

U, C models	AC 120V, 60Hz
A model	AC 240V, 50Hz
R model	AC 110/120/220/240V, 60/50Hz

Power Consumption

R, A models	210W
C model	320VA, 250W
U model	190W

AC Outlets

Switched x 2	
U, C, R models	100W max
Switched x 1	
A model	100W max

Dimensions (W x H x D) 435 x 151 x 389.8mm
(17-1/8" x 5-15/16" x 15-3/8")

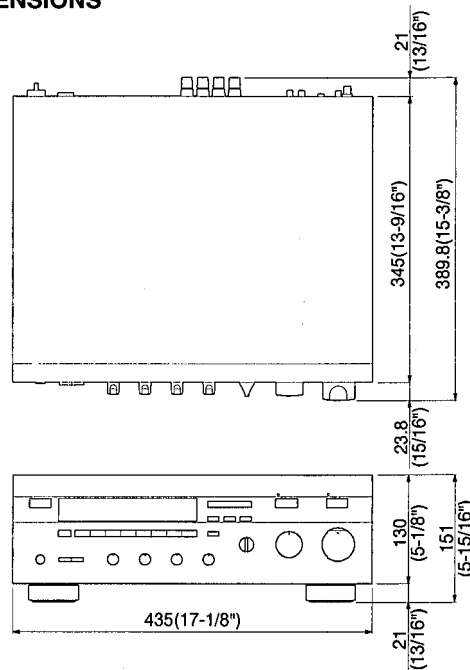
Weight 9.5 kg (20 lbs 15 oz.)

Accessories AM loop antenna x 1
Indoor FM antenna x 1
Remote Control Transmitter x 1
Battery (size "AA", "R06") x 2

* Specifications subject to change without notice.

U USA model A Australian model
C Canadian model R General model

● DIMENSIONS



Units : mm (inch)

■ DISASSEMBLY PROCEDURES (Remove parts in the order as numbered.)

1. Removal of Top Cover

Remove 4 screws (①) and 4 screws (②) in Fig. 1.

2. Removal of Front Panel

- a. Remove 7 knobs.
- b. Remove 6 screws (③) in Fig. 1.

3. Removal of Bottom Cover

Remove 6 screws (④) in Fig. 1.

Precautions for Replacement of input Selector Switch
Make sure to perform initial setting of the input selector switch after its replacement.

● **How to perform initial setting**
Position the selector switch at the mid-point between the CD position and TUNER position and turn ON the POWER switch. Then the SELECTOR switch turns automatically till it stops at the "CD" position finally.

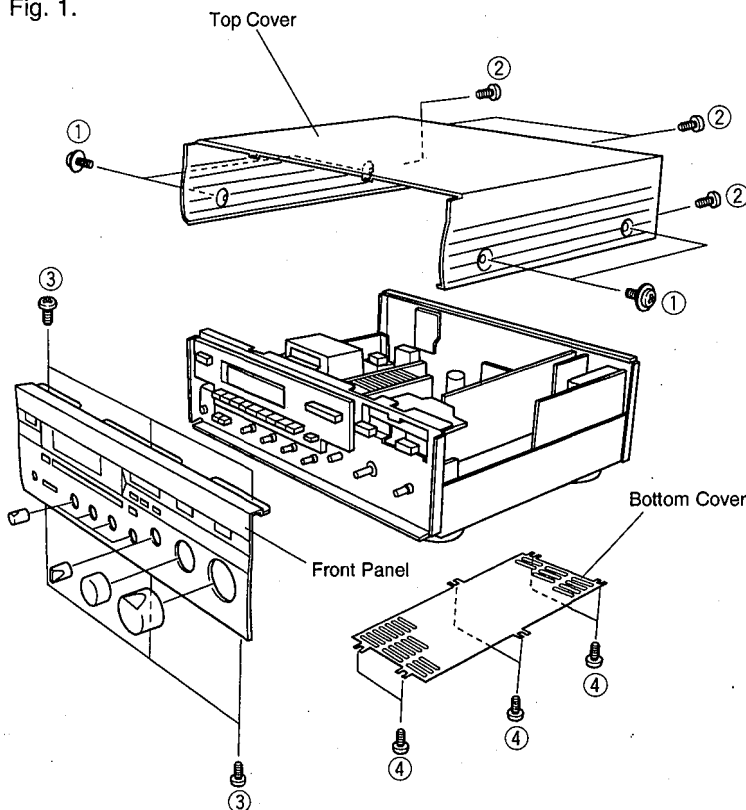


Fig. 1

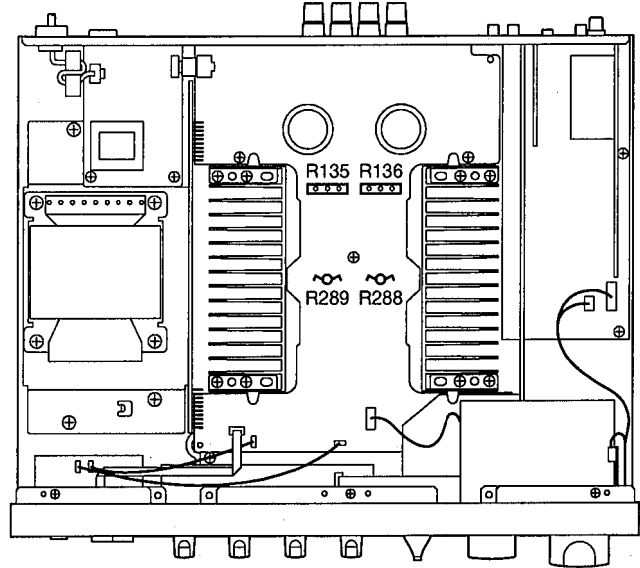
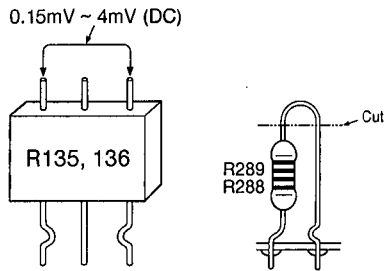
AMP ADJUSTMENTS

Confirmation of idling current.

After Power is turned on.

Confirm that the voltages across R135 (L ch), R136 (R ch) are between 0.15 ~ 4mV.

If they exceed 4.1mV, open (cut off) R289 (L ch) and R288 (R ch), and reconfirm voltage is between 0.15 ~ 4mV.



Note)

- If R289(L ch) or R288(R ch) have already been cut off and idling current does not flow, reconnect R289(1kΩ) or R288(1kΩ).
- Q117 and Q118 are transistors for temperature correction. Apply silicone grease to the contact surface with the heat sink.

TEST MODE

CAUTION : Before setting to the TEST mode, write down the existing preset memory content of the Tuner in a table as shown below. (This is because setting to the TEST mode will cause the memory content to be as factory set, i.e., all the preset memory by the user will be erased.)

Preset group	P1	P2	P3	P4	P5	P6	P7	P8
A								
B								
C								
D								
E								

How to start

Turn the POWER switch ON while pressing the P6 and P8 keys simultaneously. The unit enters the TEST mode for the display check (All display segments light immediately).

After that, the DISPLAY mode switches by means of the PRESET STATION keys.

Content of the TEST mode key

- P1 key : ALL LIGHTS ON mode
- P2 key : LIGHTS OFF mode
- P3 to 8 keys : The mode is switched to NORMAL and the TEST mode is cancelled.

How to cancel

Normal operation is restored when the POWER switch is turned OFF or the P3 to 8 keys pressed. At the same time, the factory preset memory is also restored.

Factory preset memory content

Preset group	P1	P2	P3	P4
A/C/E	87.5MHz	90.1MHz	95.1MHz	98.1MHz
B/D	630kHz	1080kHz	1440kHz	530kHz (U, C, R) 531kHz (R, A)

Preset group	P5	P6	P7	P8
A/C/E	108MHz	88.1MHz	106.1MHz	108MHz
B/D	1710kHz (U, C, R) 1611kHz (R, A)	900kHz	1350kHz	1400kHz (U, C, R) 1404kHz (R, A)

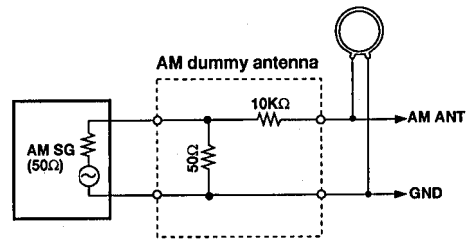
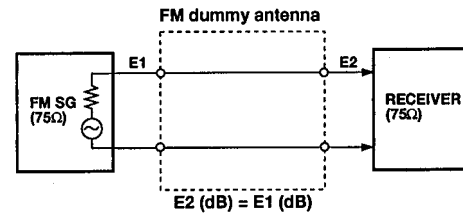
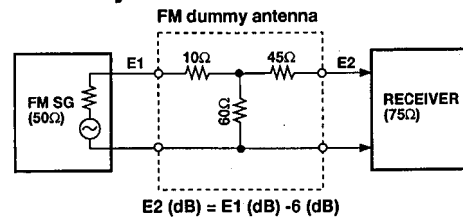
For all the above, AUTO TUNING and AUTO STEREO are selected as the TUNING mode.

TUNER ADJUSTMENTS

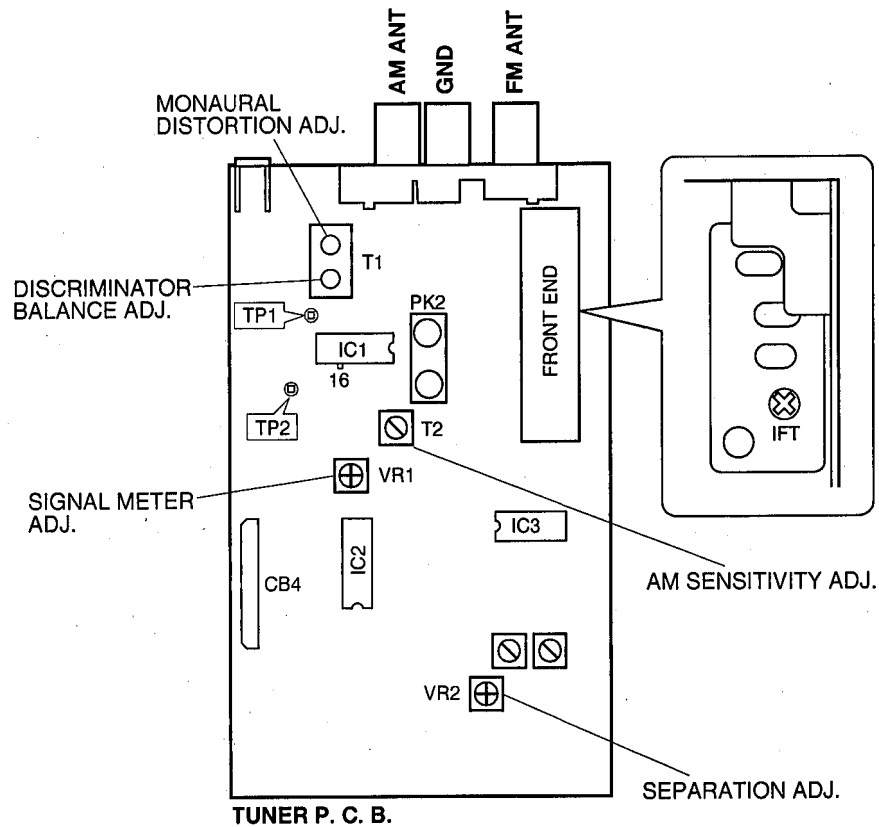
Measuring instruments

- FM signal generator (FM SG)
- Stereo signal generator (SSG)
- AM signal generator (AM SG)
- Distortion meter (DIST. M)
- AC voltmeter (ACVM)
- DC voltmeter (DCVM)
- Oscilloscope
- Low pass filter (YLF-15, $f_c=15\text{kHz}$)
- Oscillator

Dummy antenna



Test point



FM Adjustment

● **Before Adjustment**

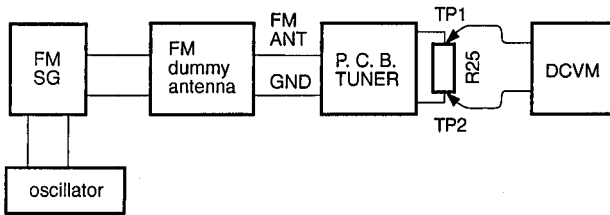
- 1) For dB, $1\mu V = 0dB\mu$ applies.
Example : $60dB\mu = 1mV$
- 2) 100% modulation means that the frequency deviation is 75kHz.

- 3) Install the Matching Transformer and connect FM SG.
- 4) Set each switch at the following position unless otherwise specified.

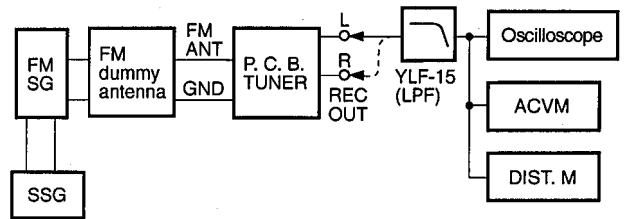
INPUT SELECTOR..... TUNER
 TUNING MODE AUTO

● **Connection diagram (Measuring instruments)**

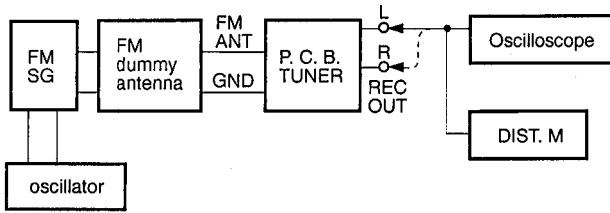
1) **Discriminator balance adjustment**



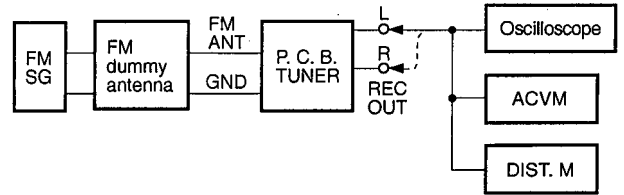
3) **Stereo distortion adjustment/separation adjustment**



2) **Monaural distortion adjustment**



4) **Sensitivity Verification**



See page 6 for TP locations & adjustment points.

Step	Adjustment Item	Signal (ANT IN)	Reception frequency	Adjustment point	Test point	Rating
1	Rough adjustment of discriminator balance	FM ANT (75Ω) 98.1MHz 70dBμ MONO 100Hz 100% modulation	98.1MHz * (A-4)	T1 (IC1 side core)	Both ends of R25 (Between TP1 and TP2)	DC 0V±100mV
2	Rough adjustment of monaural distortion	Same as Step 1.	98.1MHz * (A-4)	T1 (Antenna side core)	REC OUT L, R	Minimize the distortion.
3	Fine adjustment of discriminator balance	Same as Step 1.	98.1MHz * (A-4)	T1 (IC1 side core)	Both ends of R25 (Between TP1 and TP2)	DC 0V±50mV
4	Fine adjustment of monaural distortion	Same as Step 1.	98.1MHz * (A-4)	T1 (Antenna side core)	REC OUT L, R	Minimize the distortion (to 0.25% or less).
5	Verification of discriminator balance	Same as Step 1.	98.1MHz * (A-4)	T1 (IC1 side core)	Both ends of R25 (Between TP1 and TP2)	DC 0V±50mV

* : Execution of FACTORY PRESET (Refer to TEST MODE on pages 5.) will facilitate setting reception frequency for adjustment.

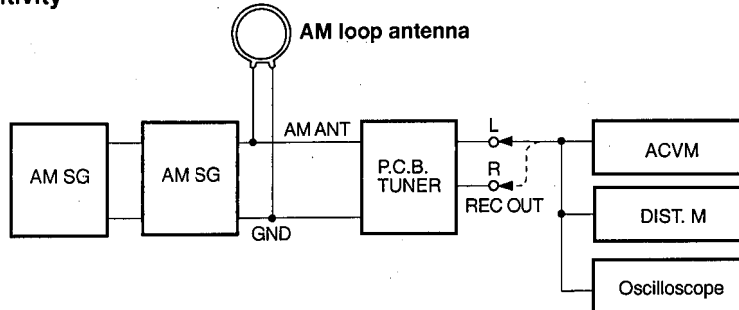
Step	Adjustment item	Signal (ANT IN)	Reception frequency	Adjustment point	Test point	Rating
6	Adjustment of front end IFT	FM ANT (75Ω) 98.1MHz 30dBμ MONO 1kHz, 100% modulation	98.1MHz * (A-4)	Front end IFT	Pin 16 of IC1	Adjust so that the DC voltage is maximum. CAUTION : Over-adjustment of the IFT core will reduce the sensitivity. Maximum ±90°
7	Verification of monaural distortion	FM ANT (75Ω) 98.1MHz 70dBμ MONO 1kHz, 100% modulation	98.1MHz * (A-4)		REC OUT L, R	0.4% or less
8	Verification of stereo distortion	FM ANT (75Ω) 98.1MHz 70dBμ Stereo L or R 1kHz, 100% modulation	98.1MHz * (A-4) * Tuning mode should be AUTO.		REC OUT L, R	1% or less • STEREO indicator should light.
9	Verification of sensitivity	FM ANT (75Ω) 88.1MHz 98.1MHz 106.1MHz MONO 1kHz Modulation off	88.1MHz * (A-6) 98.1MHz * (A-4) 106.1MHz * (A-7)		ANT (75Ω)	Set the tuning mode to MAN'L MONO. (Muting OFF) S/N should be 30dB at each frequency of 88.1MHz, 98.1MHz, and 106.1MHz. Check to ensure that the voltage at the ANT terminal is 3dBμ (14.25dBf) or less.
10	Adjustment of Separation	FM ANT (75Ω) 98.1MHz 70dBμ Stereo L or R 1kHz, 100% modulation	98.1MHz * (A-4)	VR2	REC OUT L, R	With SSG output at L or R, the signal leakage level at the other channel should be minimized. 36dB or more
11	Adjustment of Signal meter	FM ANT (75Ω) 98.1MHz 45dBμ MONO 1kHz 30% modulation	98.1MHz * (A-4)	VR1		Adjust so that all signal meters light.
		-10dBμ or less				Check to ensure that signal meters turn OFF.
12	Verification of auto tuning	FM ANT (75Ω) 98.1MHz 23dBμ Stereo L or R 1kHz, 30% modulation	98.1MHz			• Automatic reception should be available when the tuning key is moved UP and DOWN. • The stereo indicator should light. • Audio muting should be applied during tuning.

* : Execution of FACTORY PRESET (Refer to TEST MODE on pages 5.) will facilitate setting reception frequency for adjustment.

AM Adjustment (This should be done after FM adjustment.)

● **Connection Diagram (Measuring instruments)**

1) Adjustment of sensitivity



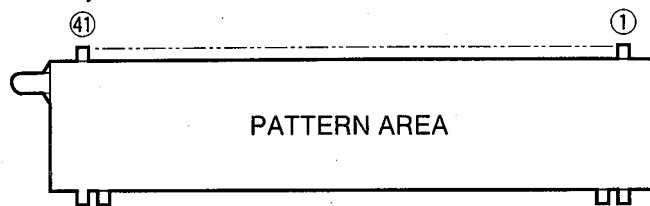
See page 6 for TP locations & adjustment points.

Step	Adjustment item	Signal (ANT IN)	Reception frequency	Adjustment point	Test point	Rating
1	Adjustment of sensitivity (1440Hz)	AM ANT 1440kHz 50dB μ 1kHz, 30% modulation	1440kHz * (B-3)	T2	REC OUT	Audio output should be maximized.
2	Verification of sensitivity (630kHz)	AM ANT 630kHz 50dB μ 1kHz 30% modulation	630kHz * (B-1)	T2	REC OUT	Audio output should be maximized. Repeat the Step 1 and 2.
3	Verification of sensitivity	AM ANT 630kHz 1080kHz 1440kHz 30% modulation	630kHz * (B-1) 1080kHz * (B-2) 1440kHz * (B-3)		AM ANT	Distortion should be 10% or less at each frequency. Check to ensure that the voltage at the ANT terminal is 54dB μ or less.
4	Verification of auto tuning	AM ANT 60dB μ				Auto reception should be available when the tuning key is moved UP and DOWN.

* : Execution of FACTORY PRESET (Refer to TEST MODE on pages 5.) will facilitate setting reception frequency for adjustment.

■ DISPLAY DATA

● V501 : 8-MT-79GK (VQ915100)

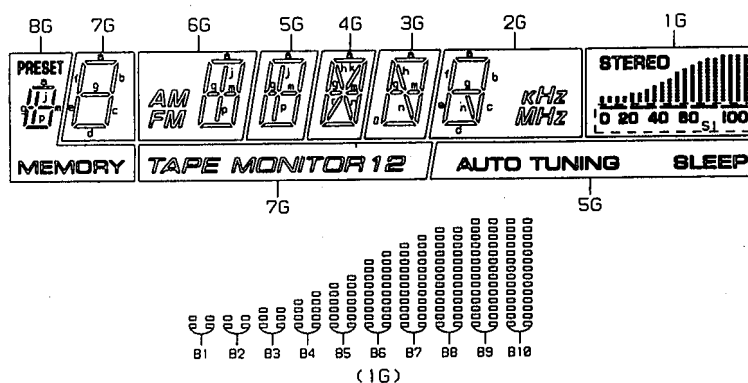


• PIN CONNECTION

PIN NO.	1	2	3	4	5	6	7	8	9	10	11	12	13	14	15	16	17	18	19	20	21
CONNECTION	F1	F1	NP	NP	P1	P2	P3	P4	P5	P6	P7	P8	P9	P10	P11	P12	NX	NX	NX	NX	NX
PIN NO.	22	23	24	25	26	27	28	29	30	31	32	33	34	35	36	37	38	39	40	41	
CONNECTION	NX	NX	NX	NX	NC	NC	NC	NC	1G	2G	3G	4G	5G	6G	7G	8G	NP	NP	F2	F2	

NOTE 1) F1, F2 Filament 4) NX No extend pin
 2) NP No pin 5) P1~P12 ... Datum Line
 3) NC No connection 6) 1G~8G Grid

• GRID ASSIGNMENT



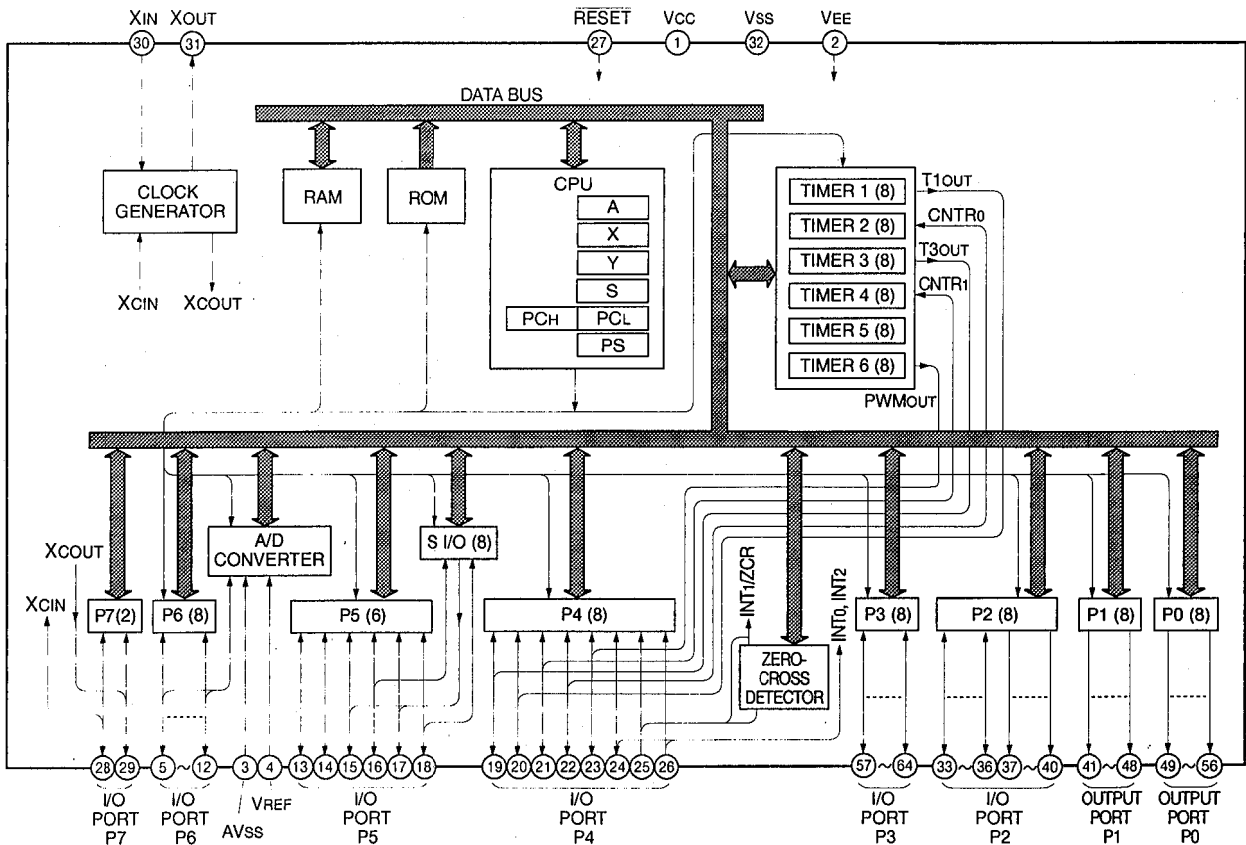
• ANODE CONNECTION

	8G	7G	6G	5G	4G	3G	2G	1G
P1	a	a	a	a	a	a	a	STEREO
P2	b	b	b	b	b	b	b	S1
P3	c	c	c	c	c	c	c	B1
P4	d	d	d	d	d	d	d	B2
P5	e	e	e	e	e	e	e	B3
P6	f	f	f	f	f	f	f	B4
P7	g	g	g	g	g	g	g	B5
P8	j	—	j	j	h	h	—	B6
P9	PRESET	TAPE MONITOR	AM	AUTO TUNING	k	o	kHz	B7
P10	m	1	M	m	m	m	—	B8
P11	p	2	P	p	n	n	n	B9
P12	MEMORY	—	FM	SLEEP	r	—	MHz	B10

■ IC DATA

IC501 : M38122M2-172SP
8 bit μ-COM

VCC	1	O	64	↔	P30
VEE	2		63	↔	P31
AVSS	3		62	↔	P32
VREF	4		61	↔	P33
P67/AN7	5		60	↔	P34
P66/AN6	6		59	↔	P35
P65/AN5	7		58	↔	P36
P64/AN4	8		57	↔	P37
P63/AN3	9		56	↔	P00
P62/AN2	10		55	↔	P01
P61/AN1	11		54	↔	P02
P60/AN0	12		53	↔	P03
P55	13		52	↔	P04
P54	14		51	↔	P05
P53/SRDY	15		50	↔	P06
P52/SCLK	16		49	↔	P07
P51/SOUT	17		48	↔	P10
P50/SIN	18		47	↔	P11
P47/T3OUT	19		46	↔	P12
P46/T1OUT	20		45	↔	P13
P45/CNTR1	21		44	↔	P14
P44/CNTR0	22		43	↔	P15
P43/PWM	23		42	↔	P16
P42/INT2	24		41	↔	P17
P41/INT1/ZCR	25		40	↔	P20
P40/INT0	26		39	↔	P21
RESET	27		38	↔	P22
P71/XCIN	28		37	↔	P23
P70/XCOUT	29		36	↔	P24
XIN	30		35	↔	P25
XOUT	31		34	↔	P26
VSS	32		33	↔	P27



RX-596

No.	Port	Name	I/O	Function	No.	Port	Name	I/O	Function
1	VCC	VDD	—	+ 5V	33	P27	V2	O	VIDEO SELECT (LD)
2	VEE	VEE	—	- 24V for FL	34	P26	V1	O	VIDEO SELECT (VCR)
3	AVSS		—	GND for AD	35	P25	—	—	N.C.
4	VREF	VRvdd	—	A-D REFERENCE VOLTAGE (+ 5V)	36	P24	M.RLY	O	POWER ON/OFF
5	P67	SEL R	O	INPUT SELECTOR (CLOCKWISE)	37	P23	S1	O	FL segment 1
6	P66	SEL L	O	INPUT SELECTOR (COUNTER-CLOCKWISE)	38	P22	S2	O	FL segment 2
7	P65	KEY2	I	KEY INPUT 2 (A/D)	39	P21	S3	O	FL segment 3
8	P64	KEY1	I	KEY INPUT 1 (A/D)	40	P20	S4	O	FL segment 4
9	P63	CAM	I	INPUT SELECTOR CAM	41	P17	S5	I	FL segment 5
10	P62	COMM	I	INPUT SELECTOR COMMON (A/D)	42	P16	S6	I	FL segment 6
11	P61	VER	I	MARKET DETECT (A/D)	43	P15	S7	O	FL segment 7
12	P60	METER	I	METER INPUT	44	P14	S8	O	FL segment 8
13	P55	MONO	O	FORCED MONO OUT	45	P13	S9	O	FL segment 9
14	P54	CE70	O	CE for LM7000	46	P12	S10	O	FL segment 10
15	P53	SIGIN	I	STOP SIGNAL	47	P11	S11	O	FL segment 11
16	P52	CLK70	O	CLOCK for LM7000	48	P10	S12	O	FL segment 12
17	P51	DAT70	O	DATA for LM7000	49	P07	G1	O	FL grid 1
18	P50	STPOT	I	IF COUNT OK	50	P06	G2	O	FL grid 2
19	P47	STPREQ	I	IF COUNT REQUEST	51	P05	G3	O	FL grid 3
20	P46	TMUTE	O	TUNER MUTE	52	P04	G4	O	FL grid 4
21	P45	STEREO	I	STEREO	53	P03	G5	O	FL grid 5
22	P44	—	—	N.C.	54	P02	G6	O	FL grid 6
23	P43	—	—	N.C.	55	P01	G7	O	FL grid 7
24	P42	PRT	I	PROTECTION INPUT	56	P00	G8	O	FL grid 8
25	P41	PD	I	POWER DOWN	57	P37	M.MUTE	O	MAIN MUTE
26	P40	REM	I	REMOCON INPUT	58	P36	—		N. C.
27	RES	/RES	I	RESET	59	P35	—		N. C.
28	P71	VOLUP	O	VOLUME UP	60	P34	—		N. C.
29	P70	VOLDN	O	VOLUME DOWN	61	P33	PWSW	I	POWER SW INPUT
30	XIN	CF1	—	MAIN CLOCK (4MHz)	62	P32	—	—	N.C.
31	XOUT	CF2	—	MAIN CLOCK (4MHz)	63	P31	—	—	N.C.
32	VSS	VSS	—	GND	64	P30	CDD	I	CD DIRECT SW INPUT

• INPUT SELECTOR AD VALUE (10 pin)

Input Position	Voltage
PHONO	0 ~ 0.74 V
CD	1.19 ~ 1.50 V
TUNER	1.95 ~ 2.34 V
TAPE 1	2.77 ~ 3.14 V
TAPE 2/VCR	3.61 ~ 3.98 V
LD/TV	4.45 V ~

• MARKET AD VALUE (11 pin)

Market	Voltage
R (50k)	0 ~ 0.625 V
A	0.94 ~ 1.50 V
J	1.95 ~ 2.34 V
U	1.99 ~ 2.5 V
R (100k)	2.5 V ~

• KEY INPUT

No.	Name	Key Name							
		1	2	3	4	5	6	7	8
8	KEY 1	P7	P8	TUNING MODE	MEMORY	EDIT	FM/AM	TUNING UP	TUNING DOWN
7	KEY 2	P6	P5	P4	P3	P2	P1	PAGE	—

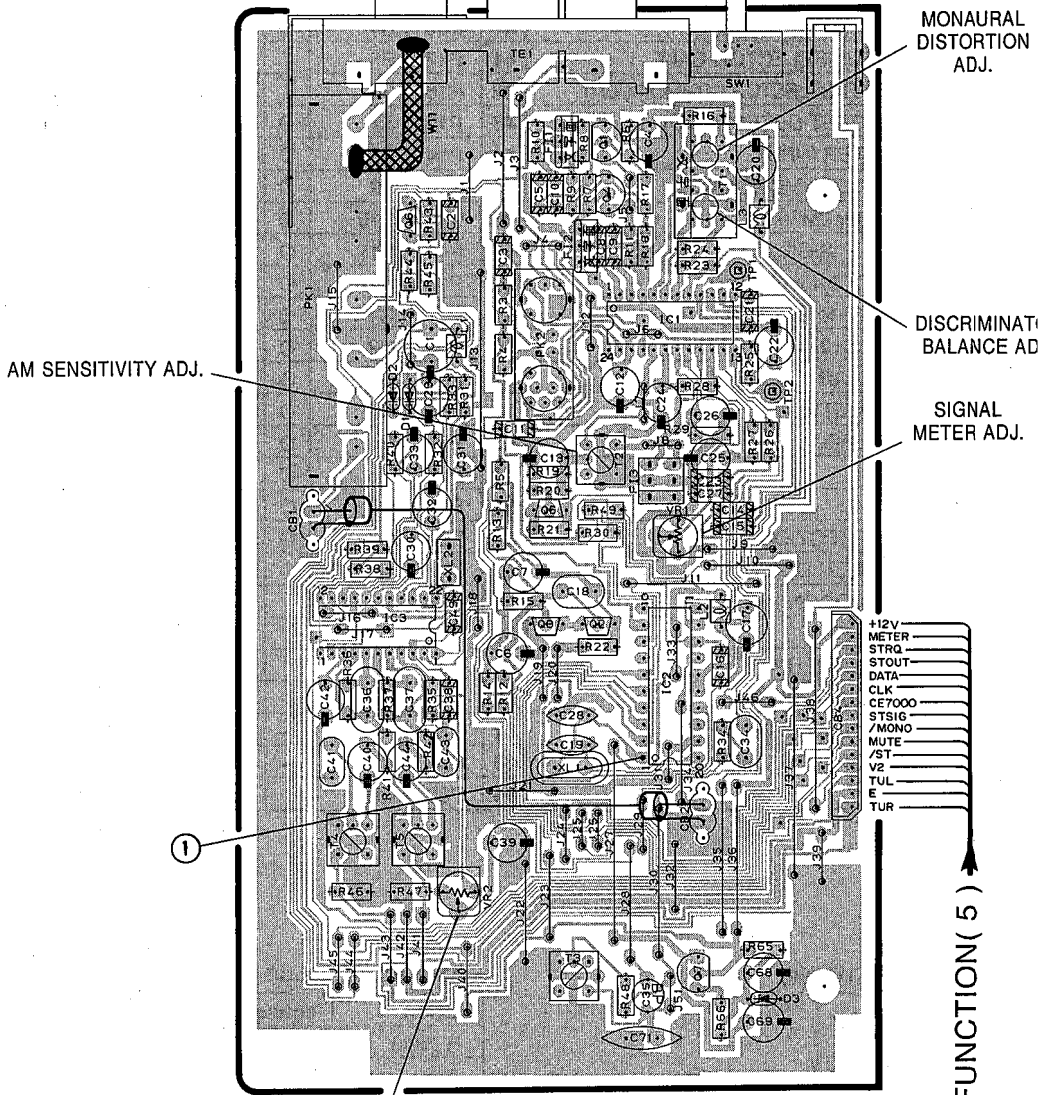
RX-596

1

■ PRINTED CIRCUIT BOARD (Foil side)

P.C.B. TUNER

FM ANT GND AM ANT FREQUENCY STEP (R only)



2

3

4

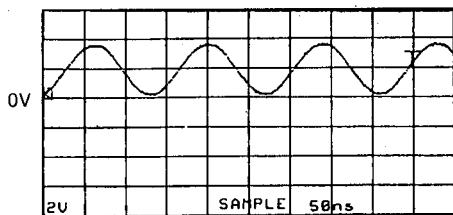
5

6

7

Point ① (Pin1 of IC2)

V : 2V/div H : 50 nsec/div
DC range 1 : 1 probe



SEPARATION ADJ.

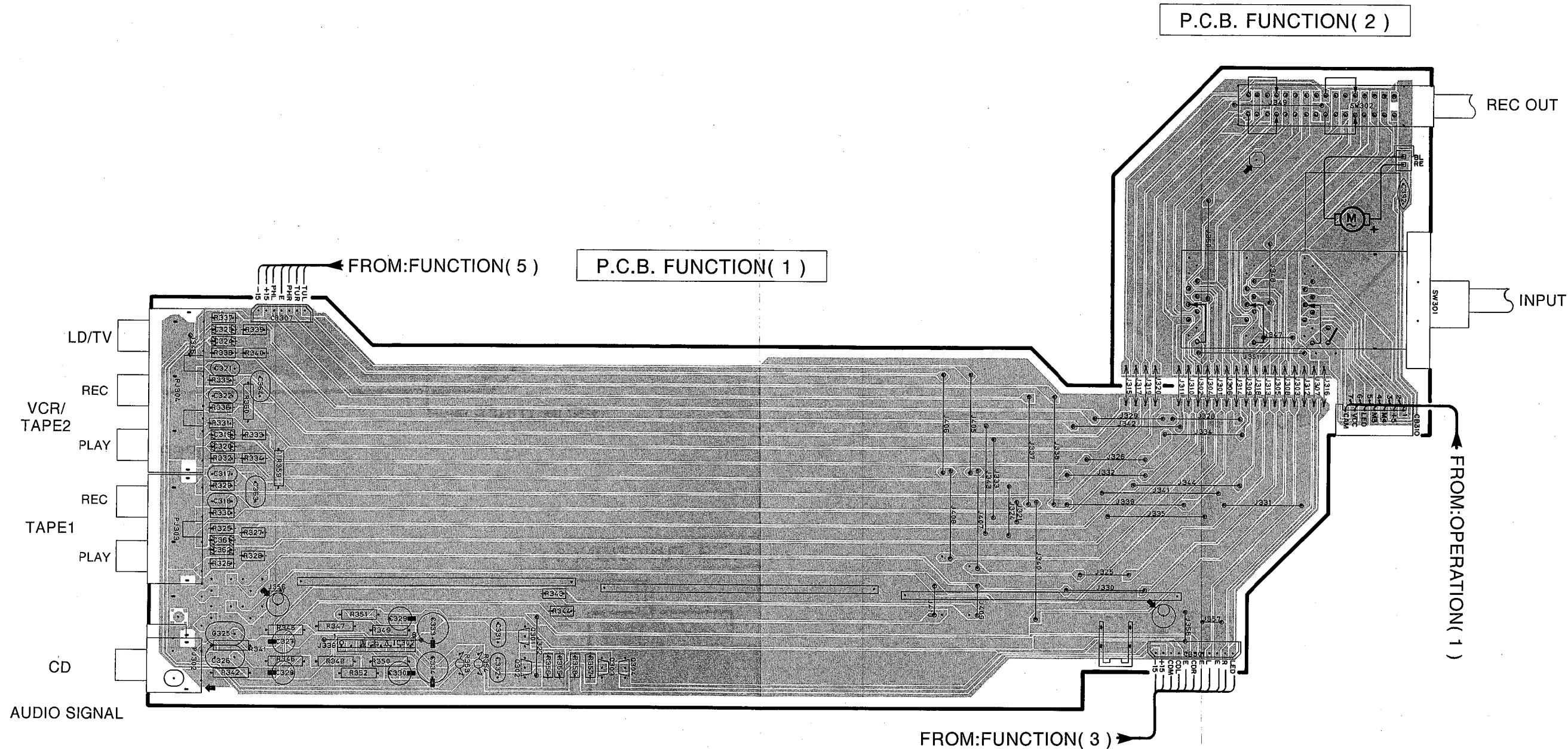
CIRCUIT CHANGED BY MARKET.

	U,C	R	A,B	G
C21	○	○	○	×
J51	○	○	○	×
R48	×	×	×	○
T3	×	×	×	○
R35	○	○	○	×
SW1	×	○	×	×
J61	×	×	×	○
C71	×	×	×	○

○ : USED
× : NOT USED

FROM:FUNCTION(5)

PRINTED CIRCUIT BOARD (Foil side)

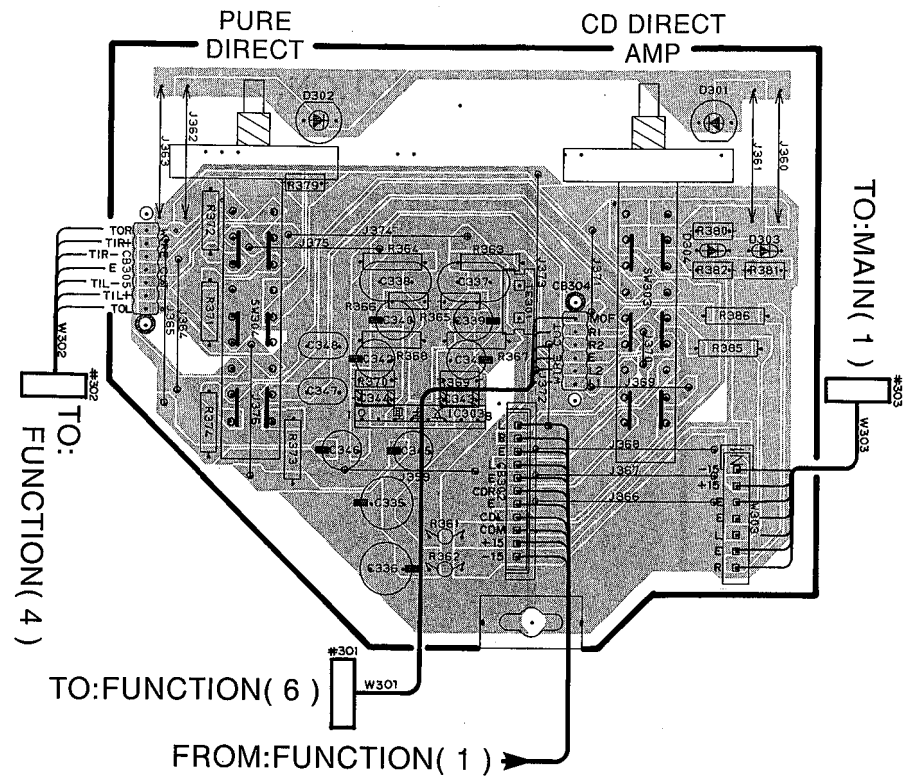


1
2
3
4
5
6

PRINTED CIRCUIT BOARD (Foil side)

1

P.C.B. FUNCTION(3)

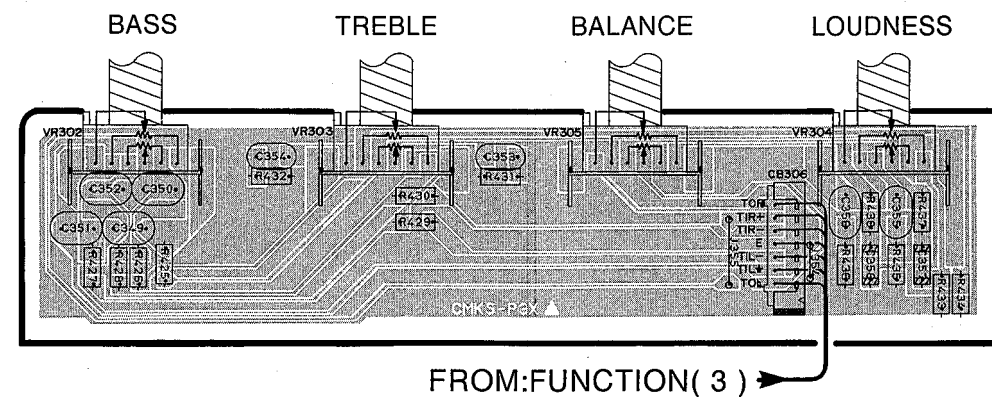


2

3

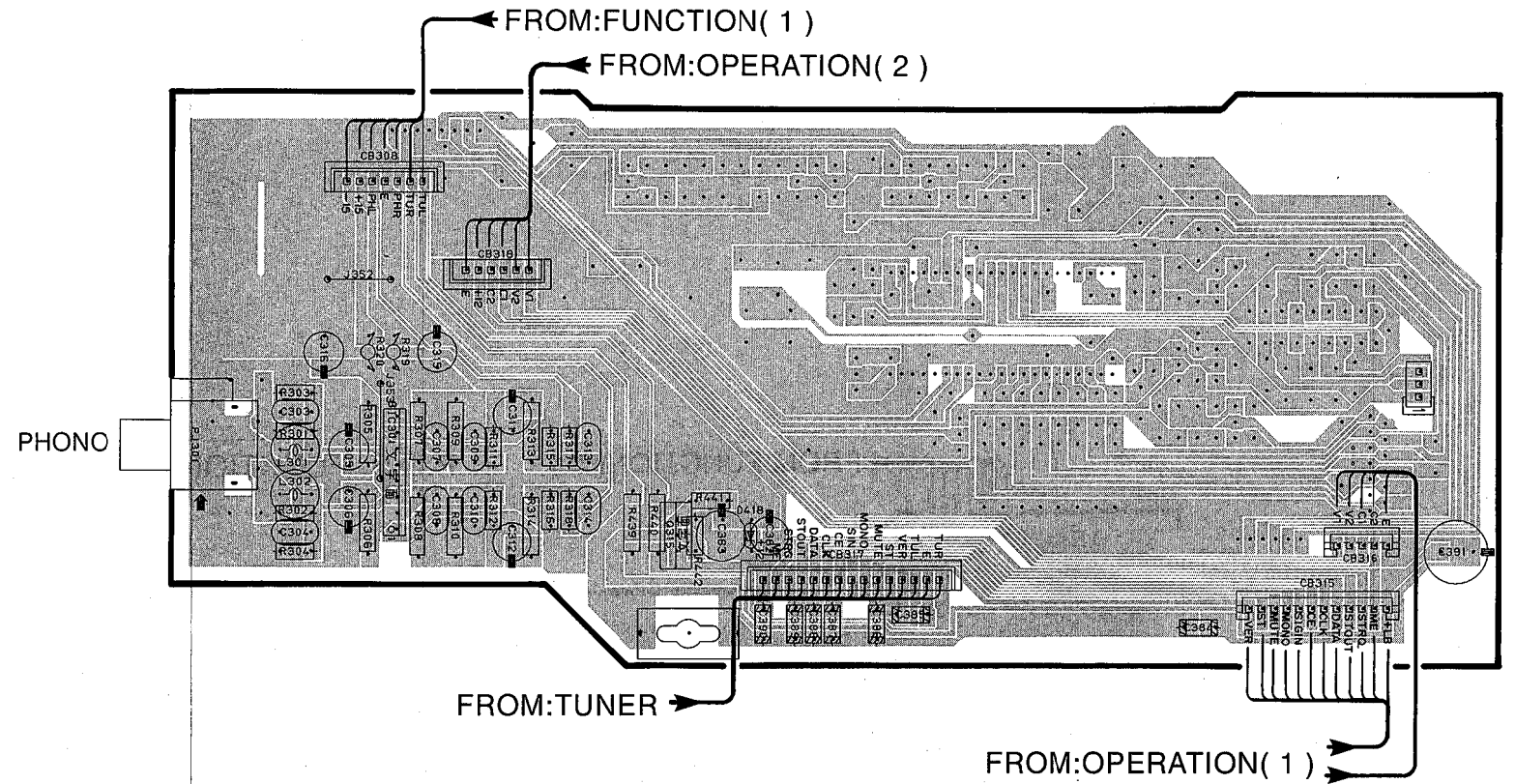
4

P.C.B. FUNCTION(4)

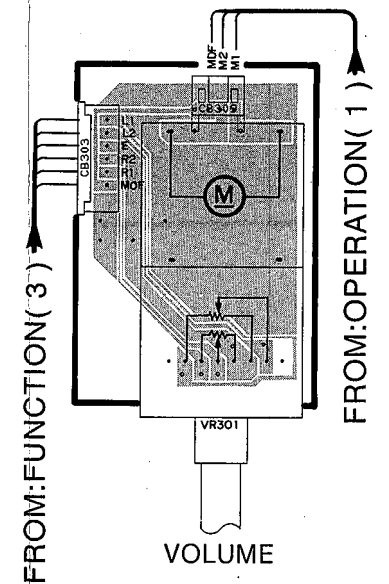


5

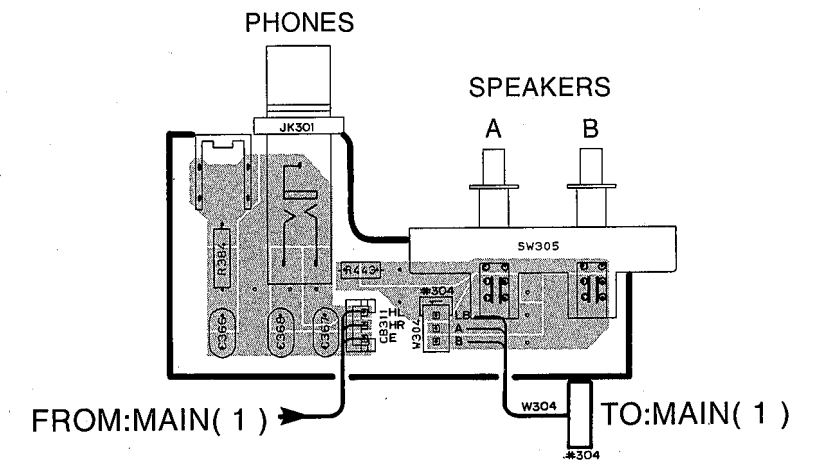
P.C.B. FUNCTION(5)



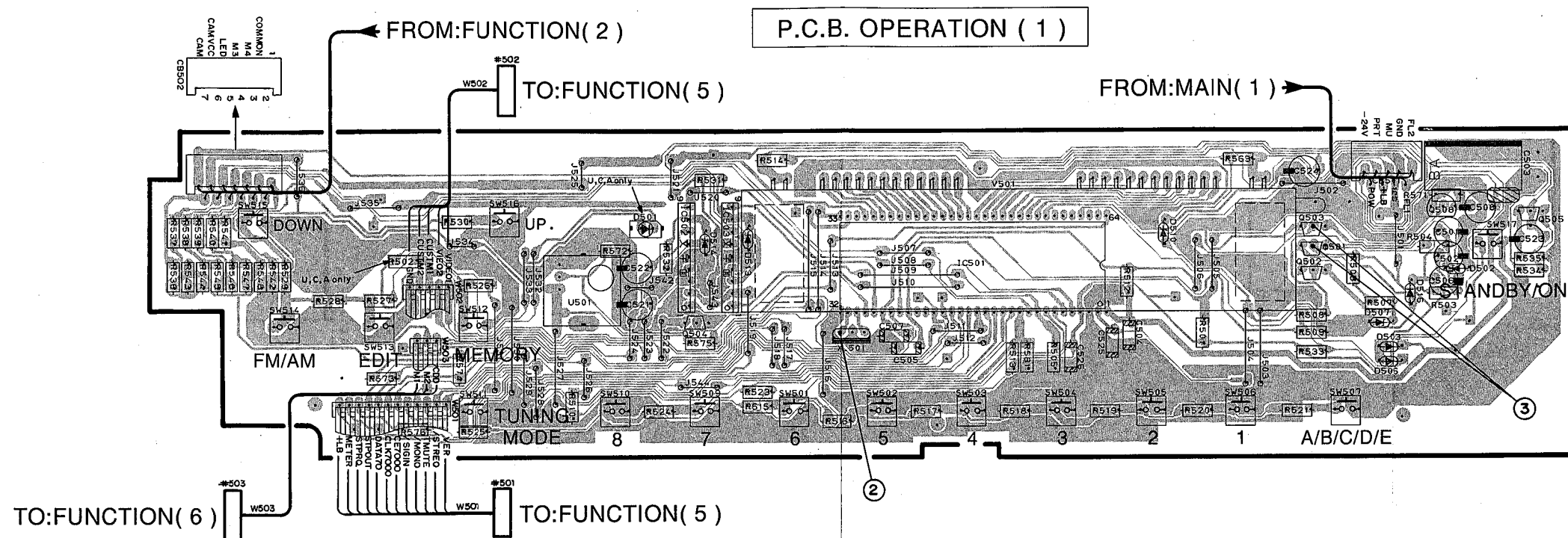
P.C.B. FUNCTION(6)



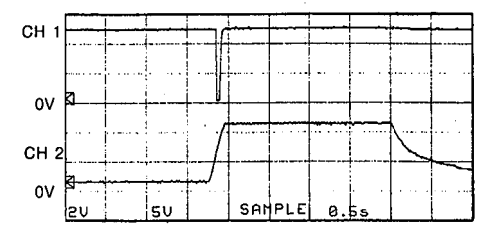
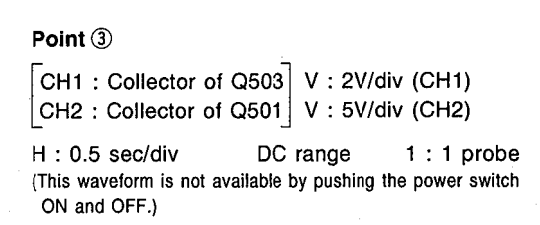
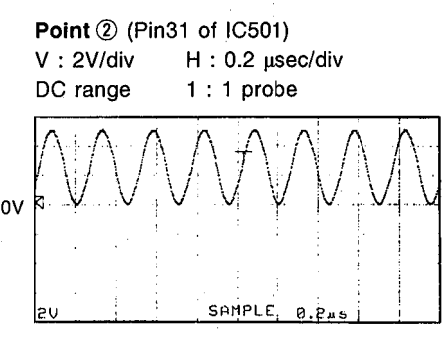
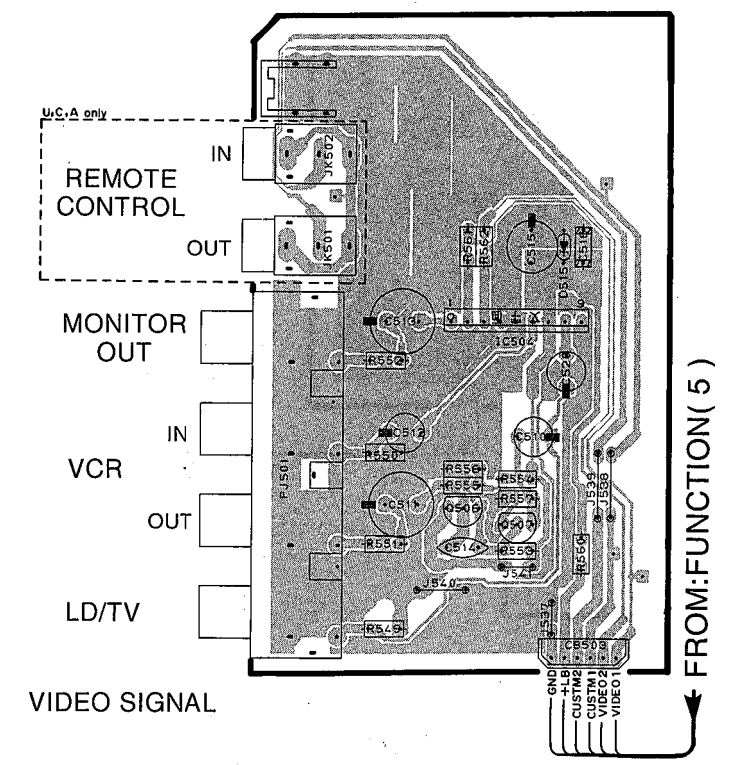
P.C.B. FUNCTION(7)



PRINTED CIRCUIT BOARD (Foil side)



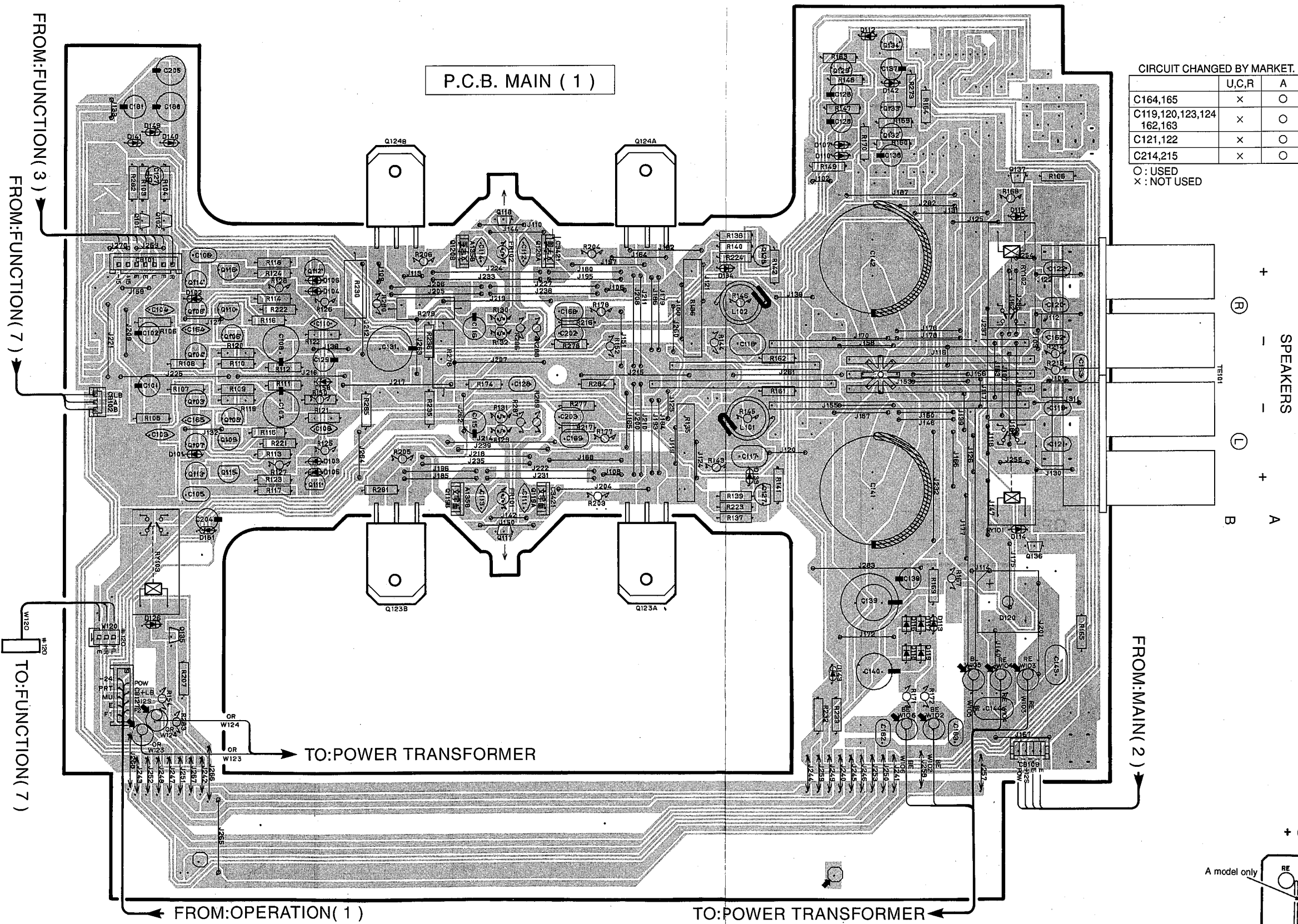
P.C.B. OPERATION (2)



With the POWER ON, disconnect the A/C power cord. Reconnect the A/C power cord and the above waveforms will start.

Disconnect the power cord from the AC outlet.

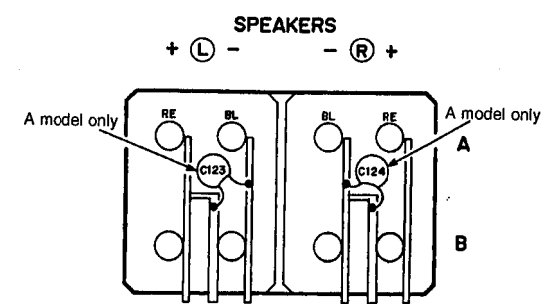
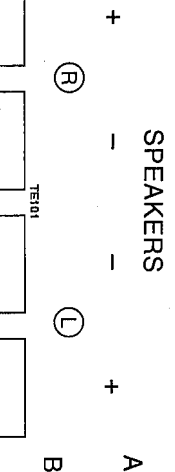
PRINTED CIRCUIT BOARD (Foil side)



CIRCUIT CHANGED BY MARKET.

	U,C,R	A
C164,165	x	o
C119,120,123,124 162,163	x	o
C121,122	x	o
C214,215	x	o

o : USED
x : NOT USED

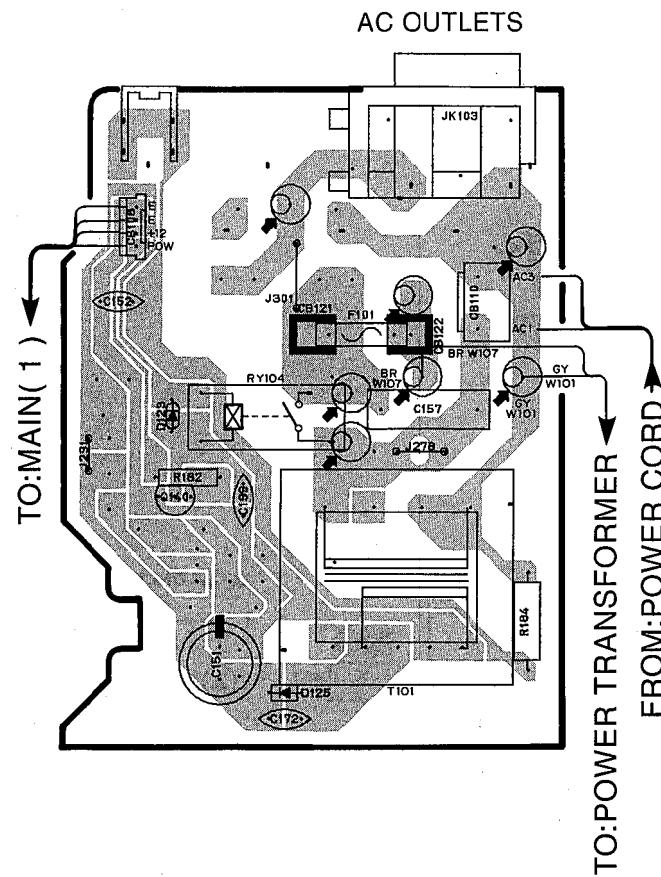


1
2
3
4
5
6

■ PRINTED CIRCUIT BOARD (Foil side)

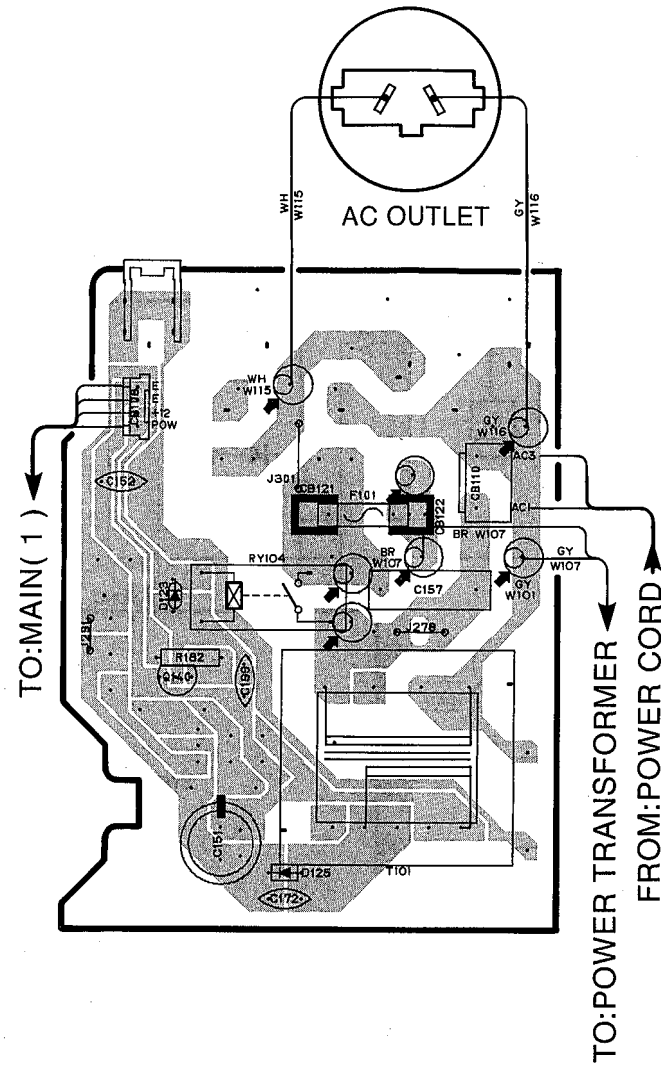
● U,C models

P.C.B. MAIN (2)



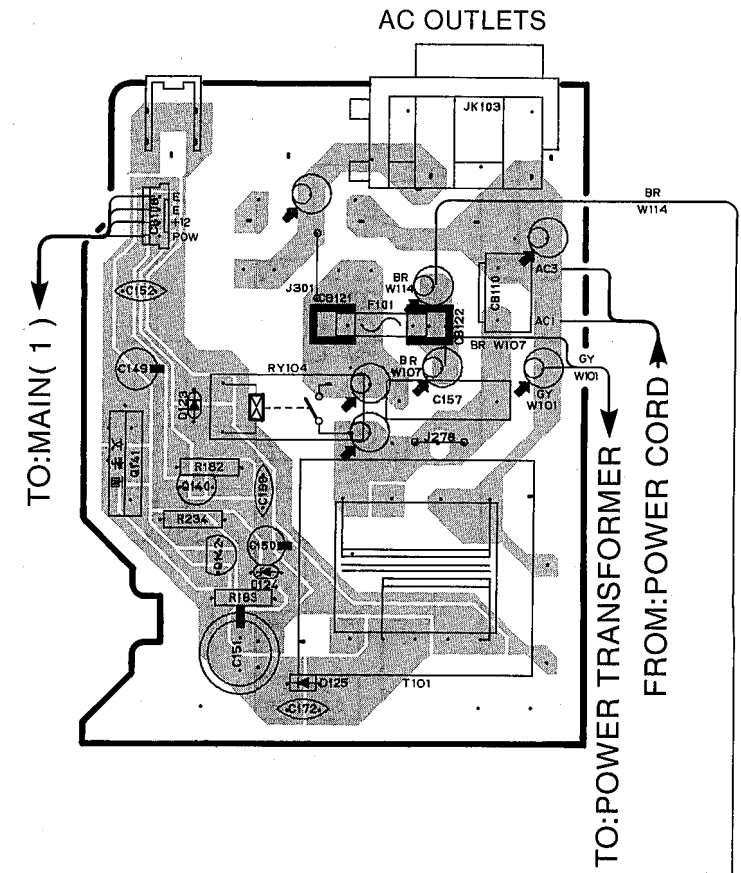
● A model

P.C.B. MAIN (2)



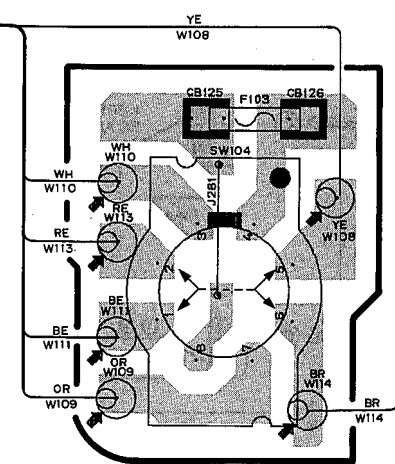
● R model

P.C.B. MAIN (2)



P.C.B. MAIN (6)

TO:POWER TRANSFORMER



VOLTAGE SELECTOR

110V	1-2/5-6
120V	2-3/6-7
240V	3-4/7-8
220V	4-5/8-1

1

2

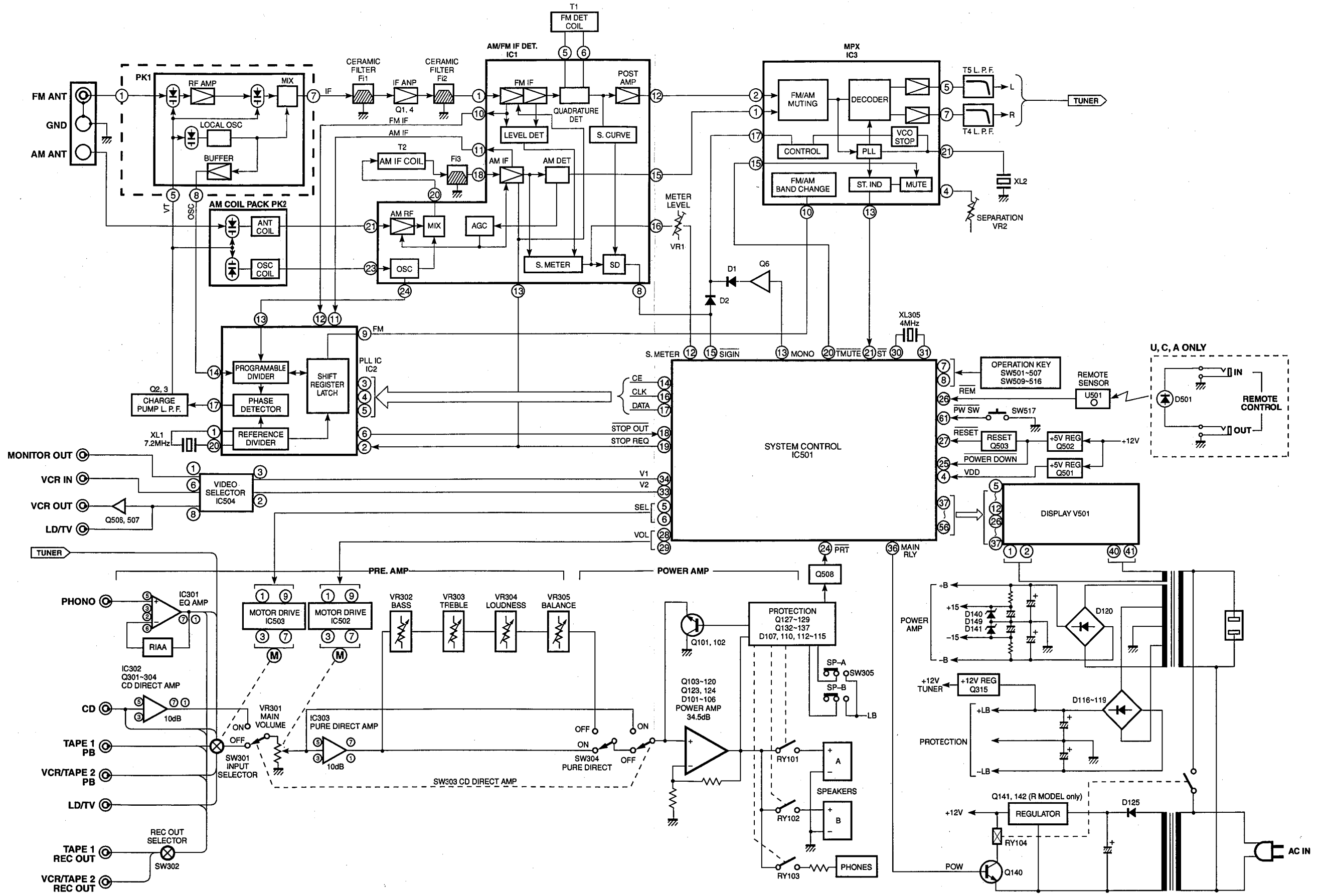
3

4

5

6

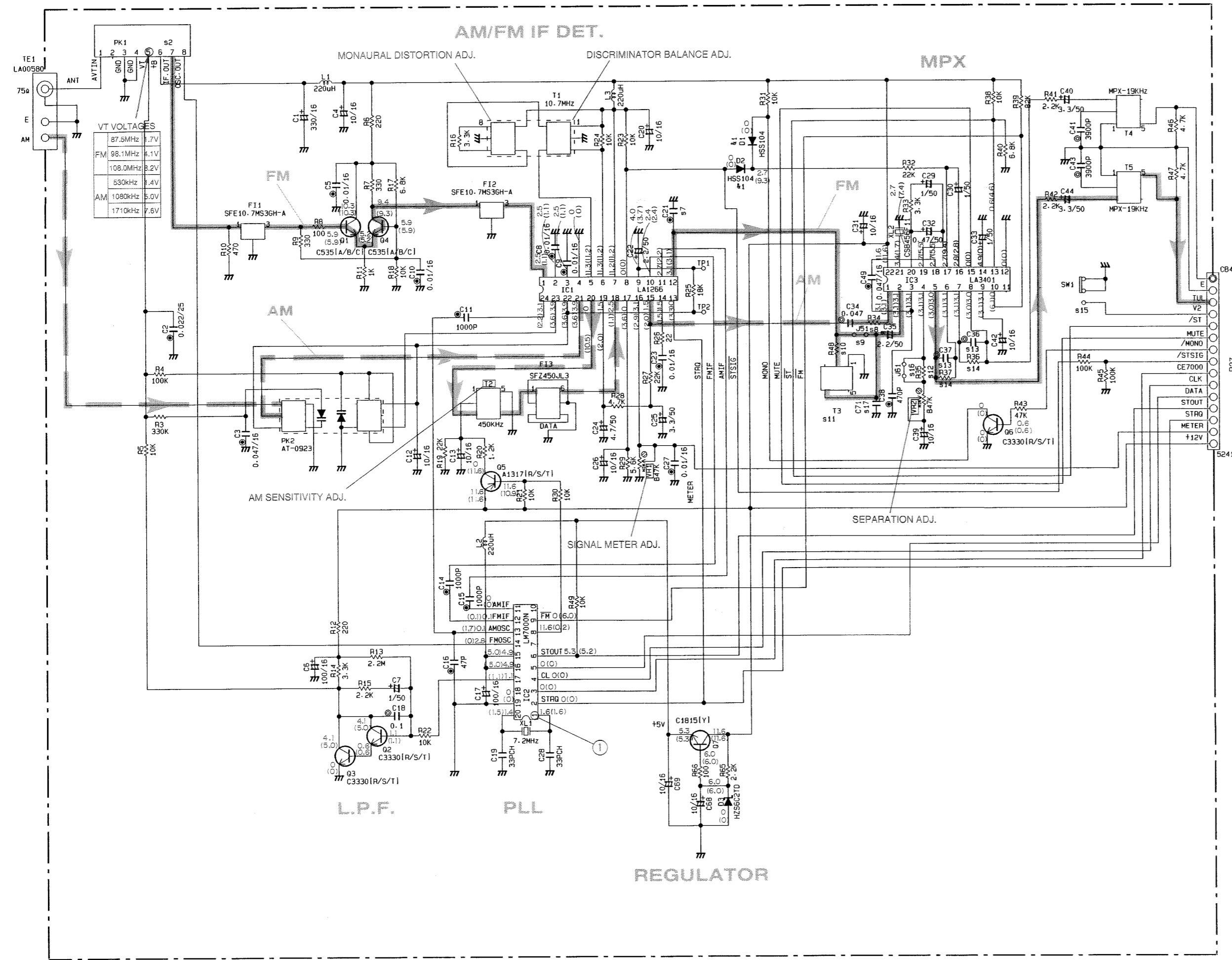
■ BLOCK DIAGRAM



1
2
3
4
5
6

SCHEMATIC DIAGRAM (TUNER)

Each voltage given here represents that in the FM (98.1MHz, STEREO) reception mode but the one in the parentheses () is that in the AM (1080kHz, MAN'L) reception mode.



CIRCUIT CHANGES BY MARKET.

	U-C	R	A-B	G
1				
2	PK1	VR24220	VR24220	V098760
3				
4				
5				
6				
7	C21	100P	100P	100P
8	R34	10K	10K	10K
9	J51			
10	R48	X	X	X
11	T3	X	X	X
12	R35	22K	22K	22K
13	C36-37	680P	680P	470P
14	R36-37	100K	100K	100K
15	SW1	X	VF54120	X
16	J61	X	X	X
17	C71	X	X	X

X: NOT USED
O: USED

Interchangeable Parts at Manufacture-Stage

Mark	Reference Parts Number	Parts Name
41	D1-2	HSS104
		ISS133
		ISS176

CAPACITOR

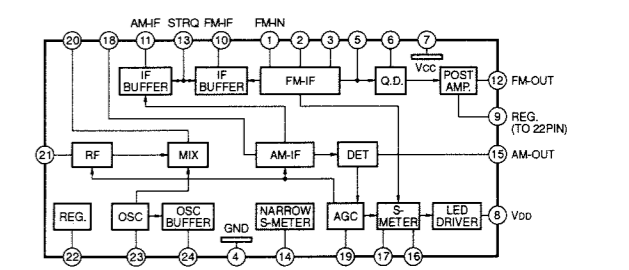
REMARKS	PARTS NAME
NO MARK	ELECTROLYTIC CAPACITOR
⊗	TANTALUM CAPACITOR
NO MARK	CERAMIC CAPACITOR
⊙	CERAMIC TUBULAR CAPACITOR
⊖	POLYESTER FILM CAPACITOR
○	POLYSTYRENE FILM CAPACITOR
⊕	MICA CAPACITOR
⊖	POLYPROPYLENE FILM CAPACITOR
⊙	SEMICONDUCTIVE CERAMIC CAPACITOR

RESISTOR

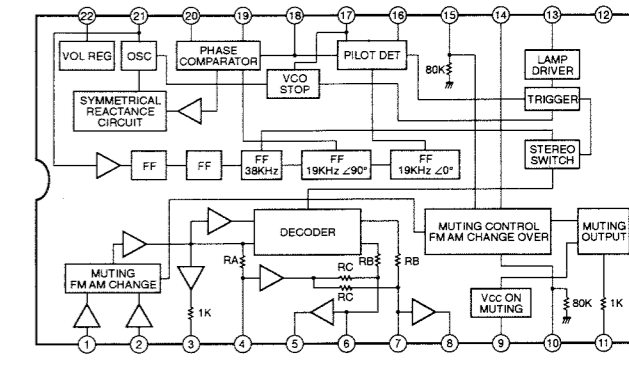
REMARKS	PARTS NAME
NO MARK	CARBON FILM RESISTOR (P=5)
△	CARBON FILM RESISTOR (P=10)
⊠	METAL OXIDE FILM RESISTOR
⊡	METAL FILM RESISTOR
⊞	METAL PLATE RESISTOR
⊞	FIRE PROOF CARBON FILM RESISTOR
⊞	CEMENT MOLDED RESISTOR
⊞	SEMI VARIABLE RESISTOR
⊞	CHIP RESISTOR

NOTICE (mode1)
(J)..... JAPANESE
(U)..... U. S. A
(C)..... CANADIAN
(R)..... GENERAL
(A)..... AUSTRALIAN
(B)..... BRITISH
(G)..... EUROPEAN
(T)..... CHINA
(L)..... SINGAPORE

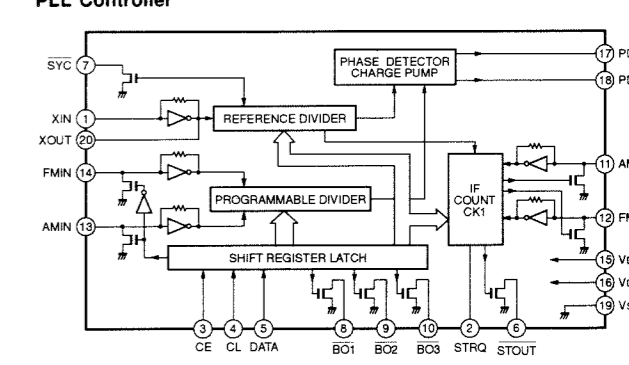
IC1: LA1266 AM/FM IF



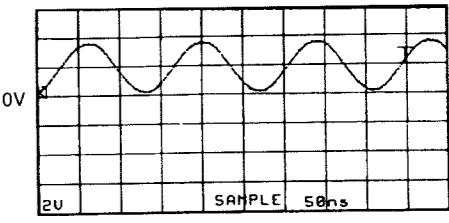
IC3: LA3401 MPX



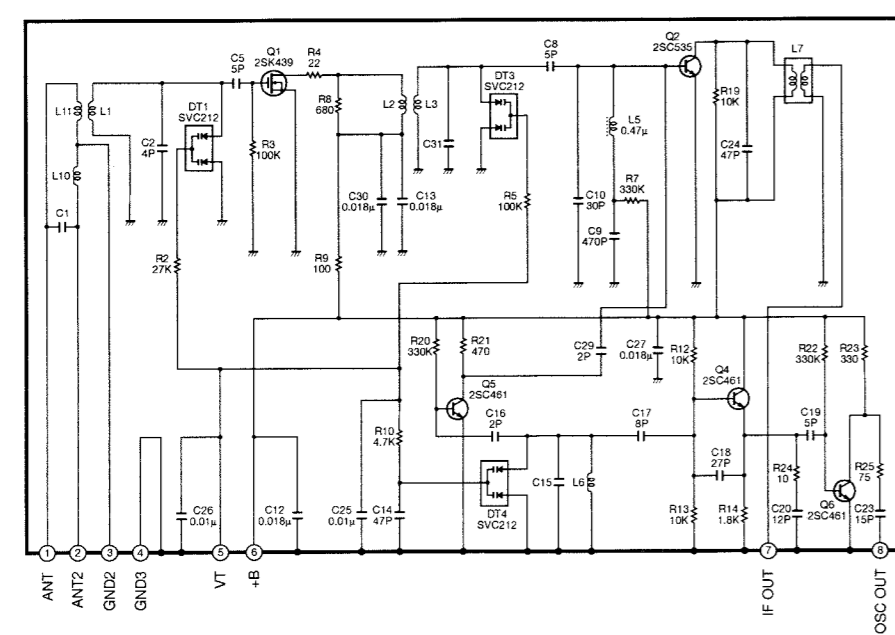
IC2: LM7000N PLL Controller



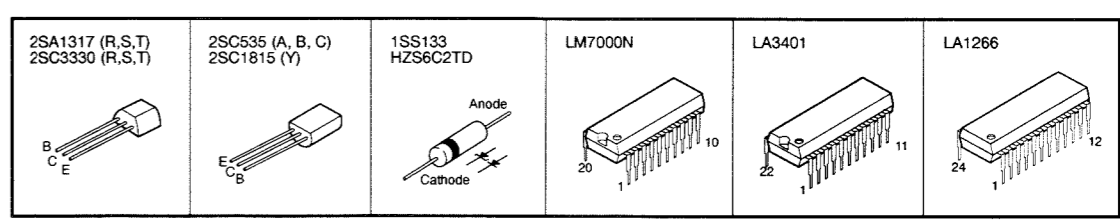
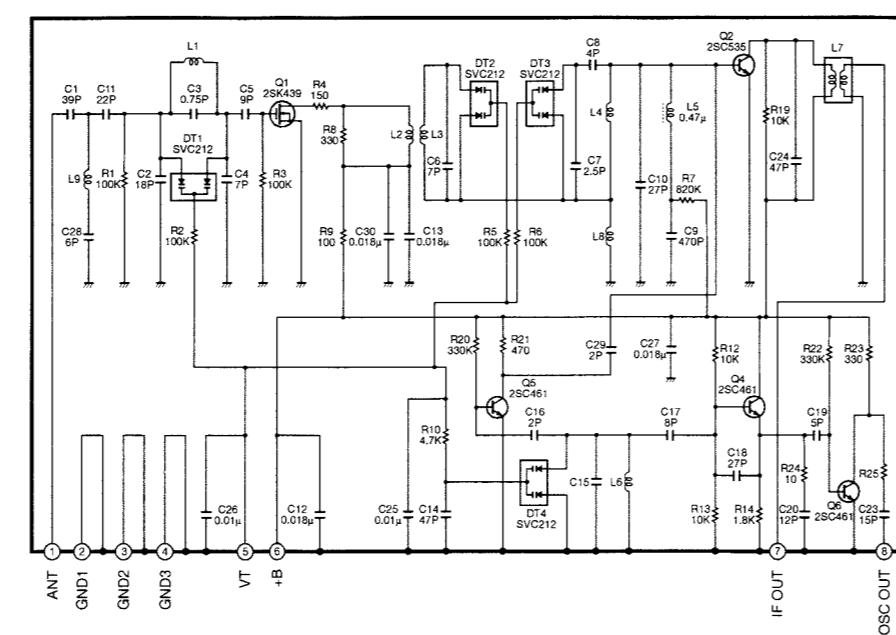
Point ① (Pin1 of IC2)
V: 2V/div H: 50 nsec/div
DC range 1:1 probe



PK1: ENV-17298G1 (VR24220) U, C, R, A, B models



PK1: ENV-17297G1 (VQ98760) G model



* All voltage are measured with a 10MΩ/DC electric volt meter.
* Components having special characteristics are marked △ and must be replaced with parts having specifications equal to those originally installed.
* Schematic diagram is subject to change without notice.

SCHEMATIC DIAGRAM (FUNCTION)

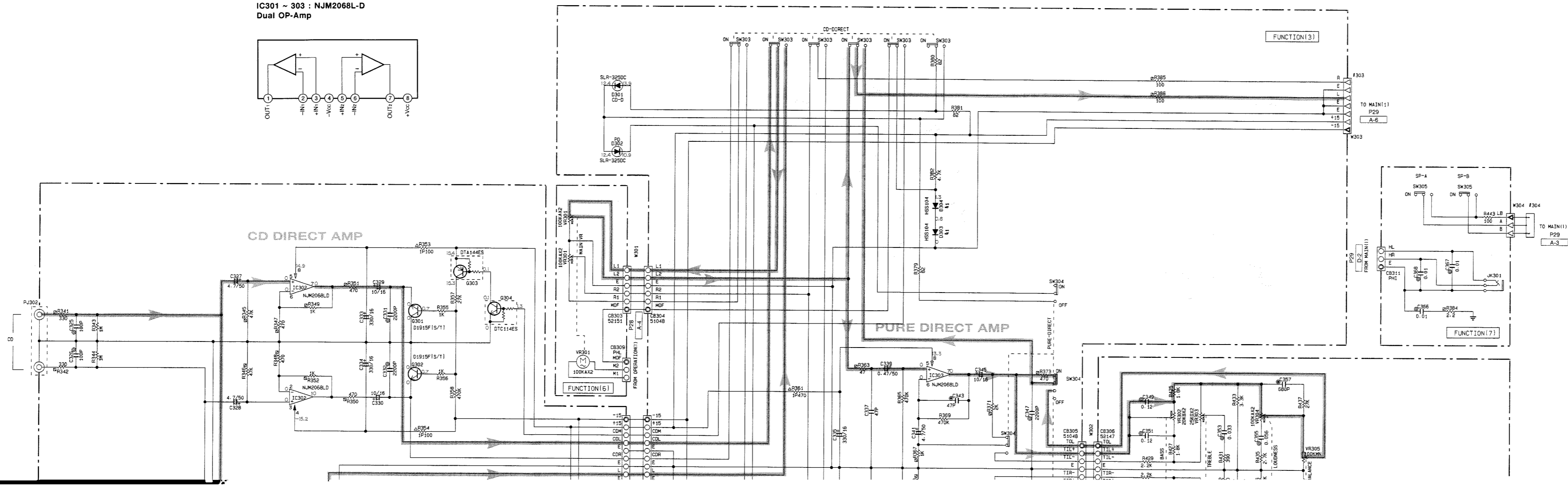
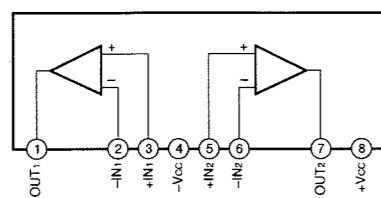
RESISTOR		CAPACITOR	
REMARKS	PARTS NAME	REMARKS	PARTS NAME
NO MARK	CARBON FILM RESISTOR (P=5)	NO MARK	ELECTROLYTIC CAPACITOR
□	CARBON FILM RESISTOR (P=10)	⊗	TANTALUM CAPACITOR
△	METAL OXIDE FILM RESISTOR	NO MARK	CERAMIC CAPACITOR
▲	METAL FILM RESISTOR	⊙	CERAMIC TUBULAR CAPACITOR
□	METAL PLATE RESISTOR	⊖	POLYESTER FILM CAPACITOR
■	FIRE PROOF CARBON FILM RESISTOR	○	POLYSTYRENE FILM CAPACITOR
□	CEMENT MOUNTED RESISTOR	⊕	MICA CAPACITOR
○	SEMI VARIABLE RESISTOR	⊗	POLYPROPYLENE FILM CAPACITOR
■	CHIP RESISTOR	●	SEMICONDUCTIVE CERAMIC CAPACITOR

NOTICE (model)
 (J)..... JAPANESE
 (U)..... U. S. A.
 (C)..... CANADIAN
 (R)..... GENERAL
 (A)..... AUSTRALIAN
 (B)..... BRITISH
 (G)..... EUROPEAN
 (T)..... CHINA
 (L)..... SINGAPORE

Interchangeable Parts at Manufacture-Stage

Mark	Reference Parts Number	Parts Name
41	3303-304	ISS104
		ISS133
		ISS178

IC301 ~ 303 : NJM2068L-D Dual OP-Amp



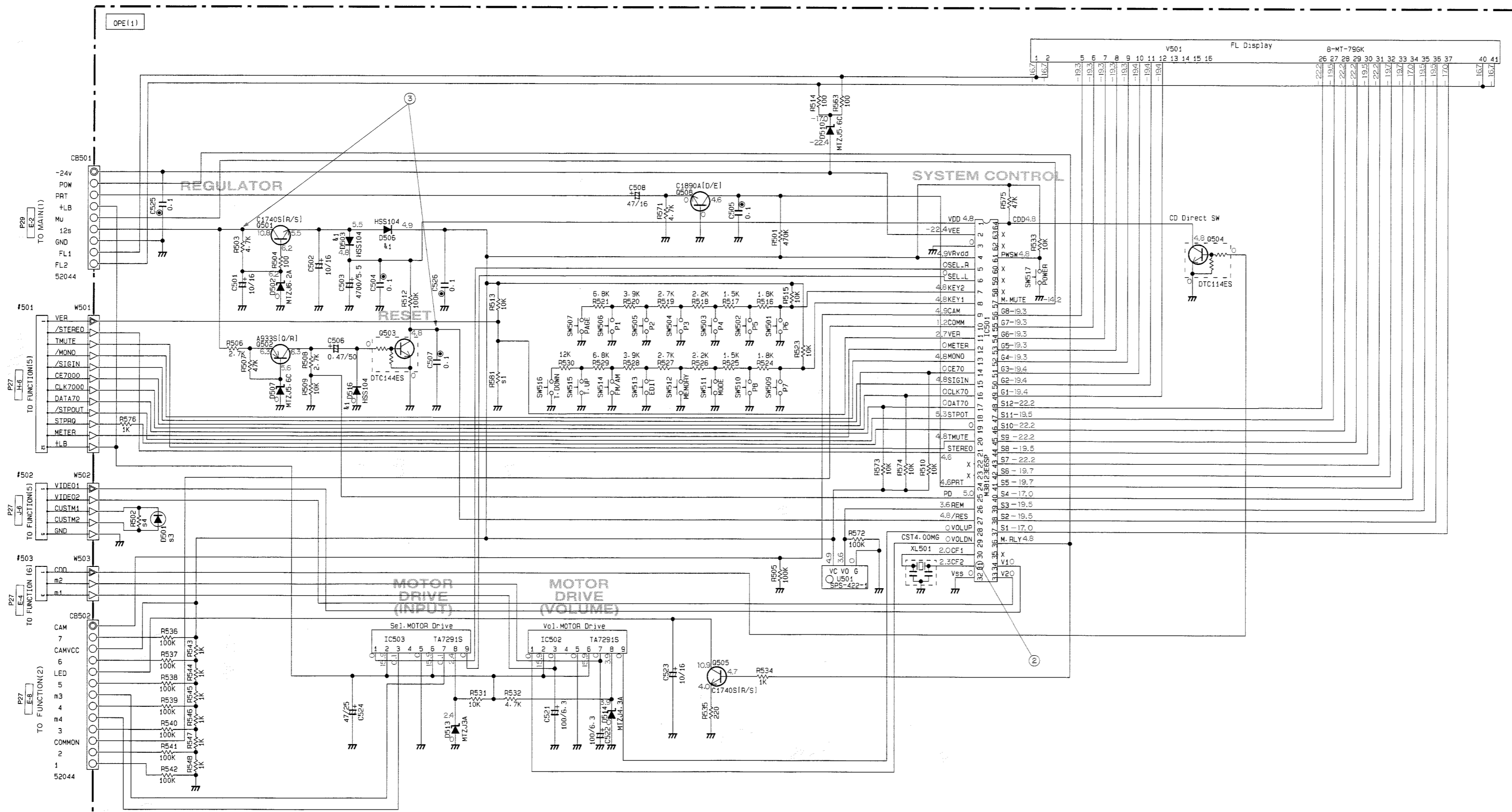
2SD1919F (S, T)
DTA144ES
DTC114ES

2SD2375 (Q,P)

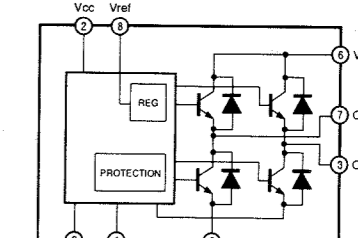
1SS133
MTZJ12.0C

NJM2068L-D

■ SCHEMATIC DIAGRAM (OPERATION)

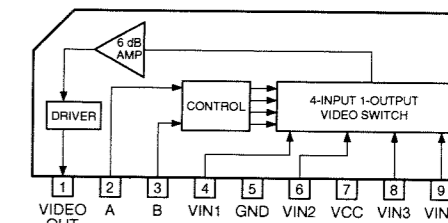


IC502 ~ 503 : TA7291S Motor Driver

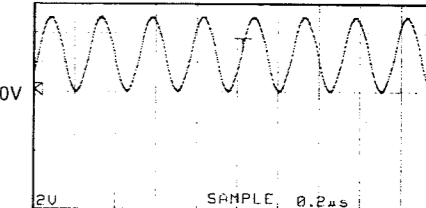


INPUT	IN1	IN2	MODE
0	0	0	STOP
1	0	H	CCW/CW
0	1	L	H
1	1	L	L

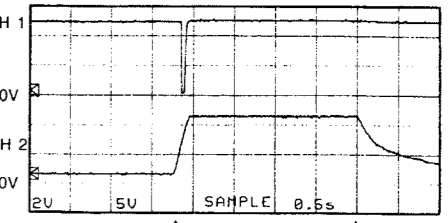
IC504 : LA7956 Video Switch



Point ② (Pin31 of IC501)
V : 2V/div H : 0.2 µsec/div
DC range 1 : 1 probe



Point ③
CH1 : Collector of Q503 V : 2V/div (CH1)
CH2 : Collector of Q501 V : 5V/div (CH2)
H : 0.5 sec/div DC range 1 : 1 probe
(This waveform is not available by pushing the power switch ON and OFF.)



With the POWER ON, disconnect the A/C power cord. Reconnect the power cord from the AC outlet. forms will start.

Interchangeable Parts at Manufacture-Stage

Mark	Reference Parts Number	Parts Name
1:	D503.506.516	H55104 1S5133 1S5176

CIRCUIT CHANGES BY MARKET.

S	UC	R	A
1	R581	8.2K	12K 3.3K
2	JK501.502	VJ72680	X VJ72680
3	D501	S1R-481ST3F VP48910	X S1R-481ST3F VP48910
4	R502	10K	X 10K

CAPACITOR

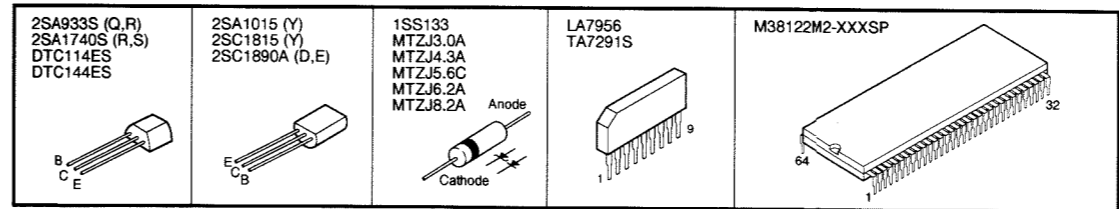
REMARKS	PARTS NAME	UNIT
NO MARK	ELECTROLYTIC CAPACITOR	µF
⊗	TANTALUM CAPACITOR	µF
NO MARK	CERAMIC CAPACITOR	
⊙	CERAMIC TUBULAR CAPACITOR	
⊕	POLYESTER FILM CAPACITOR	
○	POLYSTYRENE FILM CAPACITOR	
⊖	MICA CAPACITOR	
⊙	POLYPROPYLENE FILM CAPACITOR	
⊙	SEMICONDUCTIVE CERAMIC CAPACITOR	

RESISTOR

REMARKS	PARTS NAME
NO MARK	CARBON FILM RESISTOR (P=5)
⊗	CARBON FILM RESISTOR (P=10)
△	METAL OXIDE FILM RESISTOR
⊕	METAL FILM RESISTOR
⊖	METAL PLATE RESISTOR
⊖	FIRE PROOF CARBON FILM RESISTOR
⊖	CEMENT MOLDED RESISTOR
⊖	SEMI VARIABLE RESISTOR
■	CHIP RESISTOR

NOTICE (mode1)
(J)..... JAPANESE
(U)..... U. S. A
(C)..... CANADIAN
(R)..... GENERAL
(A)..... AUSTRALIAN
(B)..... BRITISH
(G)..... EUROPEAN
(T)..... CHINA
(L)..... SINGAPORE

X: NOT USED



* All voltage are measured with a 10MΩ/DC electric volt meter.
* Components having special characteristics are marked △ and must be replaced with parts having specifications equal to those originally installed.
* Schematic diagram is subject to change without notice.

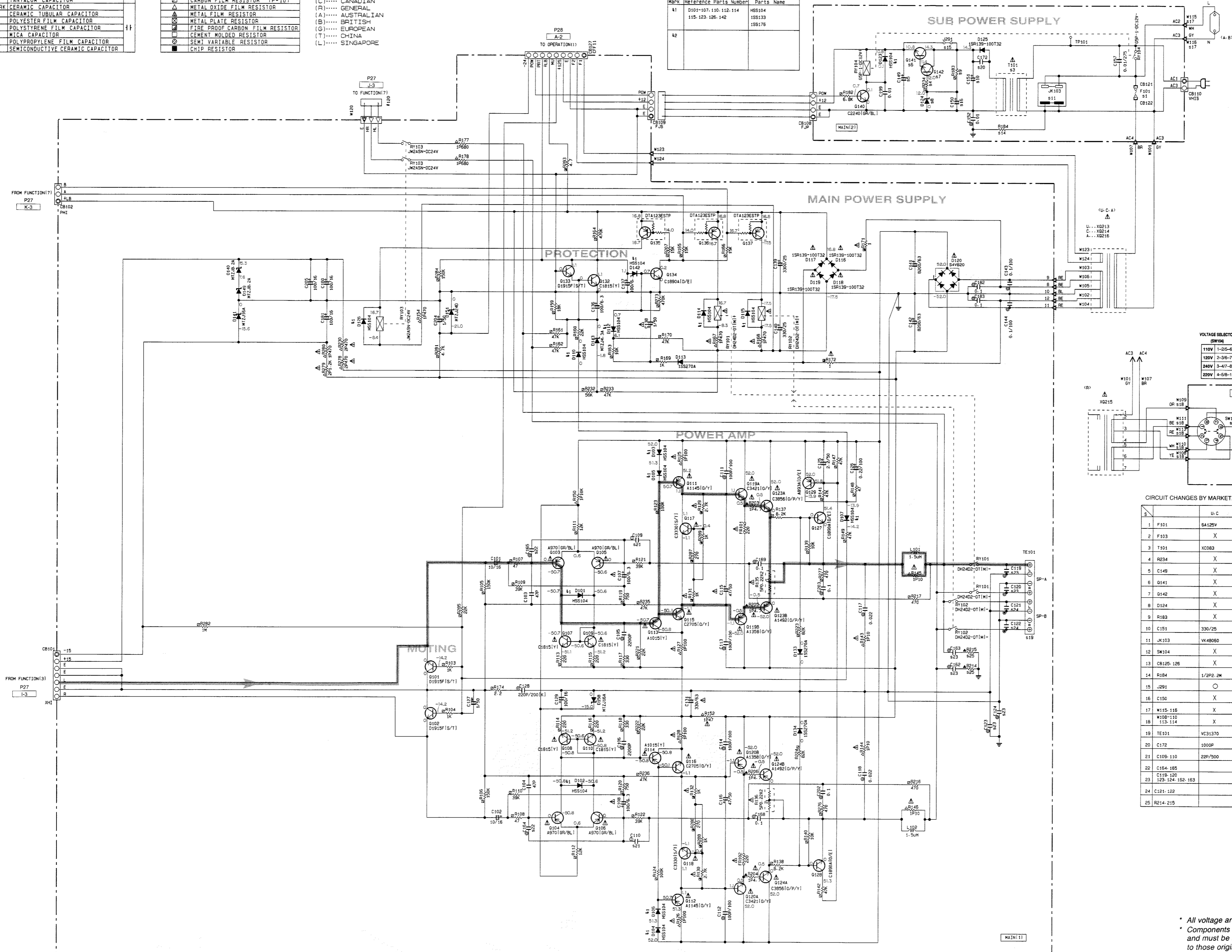
SCHEMATIC DIAGRAM (MAIN)

REMARKS	PARTS NAME	MARK
⊗	ELECTROLYTIC CAPACITOR	#
⊙	TANTALUM CAPACITOR	
□	CERAMIC CAPACITOR	
⊖	CERAMIC TUBULAR CAPACITOR	
⊕	POLYESTER FILM CAPACITOR	
○	POLYSTYRENE FILM CAPACITOR	
◇	MICA CAPACITOR	
⊙	POLYPROPYLENE FILM CAPACITOR	
●	SEMICONDUCTIVE CERAMIC CAPACITOR	

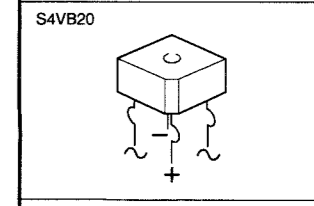
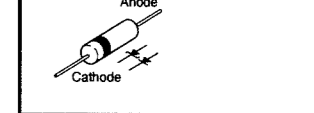
REMARKS	PARTS NAME	MARK
□	CARBON FILM RESISTOR (P=5)	
△	METAL OXIDE FILM RESISTOR	
⊖	METAL FILM RESISTOR	
⊕	METAL PLATE RESISTOR	
⊖	FIRE PROOF CARBON FILM RESISTOR	
⊕	CEMENT MOLDED RESISTOR	
⊖	SEMI VARIABLE RESISTOR	
■	CHIP RESISTOR	

NOTICE (model)
 (J)..... JAPANESE
 (U)..... U. S. A.
 (C)..... CANADIAN
 (R)..... GENERAL
 (A)..... AUSTRALIAN
 (B)..... BRITISH
 (G)..... EUROPEAN
 (T)..... CHINA
 (L)..... SINGAPORE

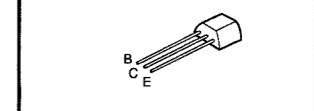
Mark	Reference Parts Number	Parts Name
41	D101-107, 110-112, 114 115, 123, 126-142	HSS104 HSS133 HSS176



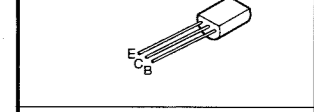
1SS133	MTZJ4.3A
1SS270A	MTZJ8.2A
1SR159-100	MTZJ12.0C
	MTZJ16.0A
	MTZJ24.00



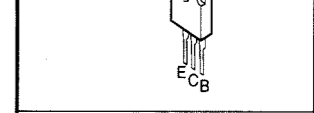
2SC3330 (R,S,T)
2SD1915F (S,T)
DTA123ES



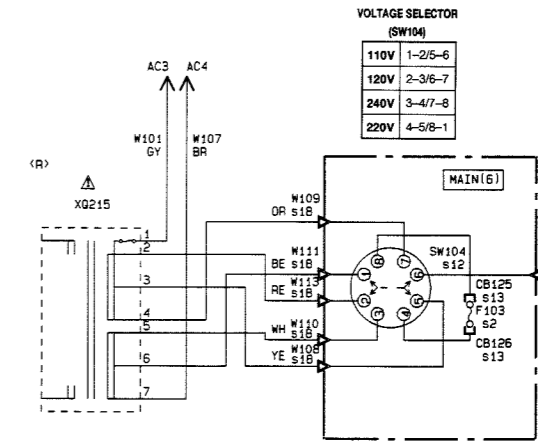
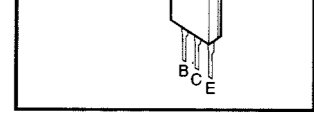
2SA893A (D,E)
2SA970 (GR,BL)
2SA1015 (Y)
2SA1145 (O,Y)
2SC1815 (Y)
2SC1890A (D,E)
2SC2240 (GR,BL)
2SC2705 (O,Y)



2SA1358
2SC3421



2SA1492 (O,P,Y)
2SC3856 (O,P,Y)
2SC4466 (O,P,Y)



CIRCUIT CHANGES BY MARKET.

S	U-C	R	A
1	F101 SA125V	SA125V	T1-BA250V
2	F103	X	T1-BA250V X
3	T101 XC083	X5569 XC082	X0486 XC084
4	R234	X	47 X
5	C148	X	100/16 X
6	Q141	X	C4466(O/P/Y) X
7	Q142	X	C1815(Y) X
8	Q124	X	MTZJ12C X
9	R183	X	18K X
10	C151	330/25	330/63 330/25
11	JK103	WK48060	WK48060 X
12	SW104	X	YA96180 X
13	CB125-126	X	VP20650 X
14	R184	1/2P2-2K	X X
15	J291	○	X ○
16	C150	X	10/16 X
17	W115-116	X	X ○
18	W106-110 113-114	X	○ X
19	TE101	VC31370	VC31370 WK50620
20	C172	1000P	1000P/100 1000P
21	C105-110	22P/500	15P/500 22P/500
22	C164-165		100P
23	C118-120 123-124-150-163		0-01
24	C121-122		0.01/25
25	R214-215		4.7

X: NOT USED
 O: USED

All voltage are measured with a 10MΩ/DC electric volt meter.
 Components having special characteristics are marked Δ and must be replaced with parts having specifications equal to those originally installed.
 Schematic diagram is subject to change without notice.

PARTS LIST

ELECTRICAL PARTS

WARNING

Components having special characteristics are marked Δ and must be replaced with parts having specifications equal to those originally installed.

- Carbon resistors (1/6W or 1/4W) are not included in the ELECTRICAL PARTS List. For the parts No. of the carbon resistors, refer to last page.

ABBREVIATIONS IN THIS LIST ARE AS FOLLOWS :

C.A.EL.CHP	: CHIP ALUMI. ELECTROLYTIC CAP	L.EMIT	: LIGHT EMITTING MODULE
C.CE	: CERAMIC CAP	LED.DSPLY	: LED DISPLAY
C.CE.ARRAY	: CERAMIC CAP ARRAY	LED.INFRD	: LED, INFRARED
C.CE.CHP	: CHIP CERAMIC CAP	MODUL.RF	: MODULATOR, RF
C.CE.ML	: MULTILAYER CERAMIC CAP	PHOT.CPL	: PHOTO COUPLER
C.CE.M.CHP	: CHIP MULTILAYER CERAMIC CAP	PHOT.INTR	: PHOTO INTERRUPTER
C.CE.SAFTY	: RECOGNIZED CERAMIC CAP	PHOT.RFLCT	: PHOTO REFLECTOR
C.CE.TUBLR	: CERAMIC TUBULAR CAP	PIN.TEST	: PIN, TEST POINT
C.CE.SMI	: SEMI CONDUCTIVE CERAMIC CAP	PLST.RIVET	: PLASTIC RIVET
C.EL	: ELECTROLYTIC CAP	R.ARRAY	: RESISTOR ARRAY
C.MICA	: MICA CAP	R.CAR	: CARBON RESISTOR
C.ML.FLM	: MULTILAYER FILM CAP	R.CAR.CHP	: CHIP RESISTOR
C.MP	: METALLIZED PAPER CAP	R.CAR.FP	: FLAME PROOF CARBON RESISTOR
C.MYLAR	: MYLAR FILM CAP	R.FUS	: FUSABLE RESISTOR
C.MYLAR.ML	: MULTILAYER MYLAR FILM CAP	R.MTL.CHP	: CHIP METAL FILM RESISTOR
C.PAPER	: PAPER CAPACITOR	R.MTL.FLM	: METAL FILM RESISTOR
C.PLS	: POLYSTYRENE FILM CAP	R.MTL.OXD	: METAL OXIDE FILM RESISTOR
C.POL	: POLYESTER FILM CAP	R.MTL.PLAT	: METAL PLATE RESISTOR
C.POLY	: POLYETHYLENE FILM CAP	RSNR.CE	: CERAMIC RESONATOR
C.PP	: POLYPROPYLENE FILM CAP	RSNR.CRYS	: CRYSTAL RESONATOR
C.TNTL	: TANTALUM CAP	R.TW.CEM	: TWIN CEMENT FIXED RESISTOR
C.TNTL.CHP	: CHIP TANTALUM CAP	R.WW	: WIRE WOUND RESISTOR
C.TRIM	: TRIMMER CAP	SCR.BND.HD	: BIND HEAD B-TITE SCREW
CN	: CONNECTOR	SCR.BW.HD	: BW HEAD TAPPING SCREW
CN.BS.PIN	: CONNECTOR, BASE PIN	SCR.CUP	: CUP TITE SCREW
CN.CANNON	: CONNECTOR, CANNON	SCR.TERM	: SCREW TERMINAL
CN.DIN	: CONNECTOR, DIN	SCR.TR	: SCREW, TRANSISTOR
CN.FLAT	: CONNECTOR, FLAT CABLE	SUPRT.PCB	: SUPPORT, P.C.B.
CN.POST	: CONNECTOR, BASE POST	SURG.PRTCT	: SURGE PROTECTOR
COIL.MX.AM	: COIL, AM MIX	SW.TACT	: TACT SWITCH
COIL.AT.FM	: COIL, FM ANTENNA	SW.LEAF	: LEAF SWITCH
COIL.DT.FM	: COIL, FM DETECT	SW.LEVER	: LEVER SWITCH
COIL.MX.FM	: COIL, FM MIX	SW.MICRO	: MICRO SWITCH
COIL.OUTPT	: OUTPUT COIL	SW.PUSH	: PUSH SWITCH
DIOD.ARRAY	: DIODE ARRAY	SW.RT.ENC	: ROTARY ENCODER
DIODE.BRG	: DIODE BRIDGE	SW.RT.MTR	: ROTARY SWITCH WITH MOTOR
DIODE.CHP	: CHIP DIODE	SW.RT	: ROTARY SWITCH
DIODE.VAR	: VARACTOR DIODE	SW.SLIDE	: SLIDE SWITCH
DIOD.Z.CHP	: CHIP ZENER DIODE	TERM.SP	: SPEAKER TERMINAL
DIODE.ZENR	: ZENER DIODE	TERM.WRAP	: WRAPPING TERMINAL
DSCR.CE	: CERAMIC DISCRIMINATOR	THRMST.CHP	: CHIP THERMISTOR
FER.BEAD	: FERRITE BEADS	TR.CHP	: CHIP TRANSISTOR
FER.CORE	: FERRITE CORE	TR.DGT	: DIGITAL TRANSISTOR
FET.CHP	: CHIP FET	TR.DGT.CHP	: CHIP DIGITAL TRANSISTOR
FL.DSPLY	: FLUORESCENT DISPLAY	TRANS	: TRANSFORMER
FLTR.CE	: CERAMIC FILTER	TRANS.PULS	: PULSE TRANSFORMER
FLTR.COMB	: COMB FILTER MODULE	TRANS.PWR	: POWER TRANSFORMER ASS'y
FLTR.LC.RF	: LC FILTER, EMI	TUNER.AM	: TUNER PACK, AM
GND.MTL	: GROUND PLATE	TUNER.FM	: TUNER PACK, FM
GND.TERM	: GROUND TERMINAL	TUNER.PK	: FRONT-END TUNER PACK
HOLDER.FUS	: FUSE HOLDER	VR	: ROTARY POTENTIOMETER
IC.PRTCT	: IC PROTECTOR	VR.MTR	: POTENTIOMETER WITH MOTOR
JUMPER.CN	: JUMPER CONNECTOR	VR.SW	: POTENTIOMETER WITH ROTARY SW
JUMPER.TST	: JUMPER, TEST POINT	VR.SLIDE	: SLIDE POTENTIOMETER
L.DTCT	: LIGHT DETECTING MODULE	VR.TRIM	: TRIMMER POTENTIOMETER

Note) Those parts marked with "#" are not included in the P.C.B. ass'y.

P.C.B. TUNER

Schm Ref.	PART NO.	Description
	VR341800	P. C. B. TUNER (UC)
	VR341900	P. C. B. TUNER (R)
	VR342100	P. C. B. TUNER (A)
CB1	VR428700	CN. BS. PIN 2P
CB2	VR428700	CN. BS. PIN 2P
CB4	VQ961800	CN. BS. PIN 15P
C1	UJ638330	C. EL 330uF 16V
C2	VG280100	C. CE. TUBLR 0.022uF 25V
C3	VJ599000	C. CE. TUBLR 0.047uF 16V
C4	VJ836900	C. EL 10uF 16V
C5	VF467300	C. CE. TUBLR 0.01uF 16V
C6	VF964800	C. EL 100uF 16V
C7	VJ839100	C. EL 1uF 50V
C8	VF467300	C. CE. TUBLR 0.01uF 16V
C9	VF467300	C. CE. TUBLR 0.01uF 16V
C10	VF467300	C. CE. TUBLR 0.01uF 16V
C11	VF467000	C. CE. TUBLR 1000pF 50V
C12	VJ836900	C. EL 10uF 16V
C13	VJ836900	C. EL 10uF 16V
C14	VF467000	C. CE. TUBLR 1000pF 50V
C15	VF467000	C. CE. TUBLR 1000pF 50V
C16	VF466700	C. CE. TUBLR 47pF 50V
C17	VF964800	C. EL 100uF 16V
C18	UA655100	C. MYLAR 0.1uF 50V
C19	VA761200	C. CE 33pF 50V
C20	VJ836900	C. EL 10uF 16V
C21	VF466800	C. CE. TUBLR 100pF 50V (UCR)
C22	VJ839200	C. EL 2.2uF 50V
C23	VF467300	C. CE. TUBLR 0.01uF 16V
C24	UM416470	C. EL 4.7uF 50V
C25	UM216330	C. EL 3.3uF 50V
C26	VJ836900	C. EL 10uF 16V
C27	VF467300	C. CE. TUBLR 0.01uF 16V
C28	VA761200	C. CE 33pF 50V
C29	VJ839100	C. EL 1uF 50V
C30	VJ839100	C. EL 1uF 50V
C31	VJ836900	C. EL 10uF 16V
C32	VJ839000	C. EL 0.47uF 50V
C33	VJ839100	C. EL 1uF 50V
C34	UA654470	C. MYLAR 0.047uF 50V
C35	VD916400	C. EL 2.2uF 50V
C36	UA652390	C. MYLAR 390pF 50V (A)
C36	UA652680	C. MYLAR 680pF 50V (UCR)
C37	UA652390	C. MYLAR 390pF 50V (A)
C37	UA652680	C. MYLAR 680pF 50V (UCR)
C38	VF466900	C. CE. TUBLR 470pF 50V
C39	VJ836900	C. EL 10uF 16V
C40	UM216330	C. EL 3.3uF 50V
C41	UA653390	C. MYLAR 3900pF 50V
C42	VJ836900	C. EL 10uF 16V
C43	UA653390	C. MYLAR 3900pF 50V
C44	UM216330	C. EL 3.3uF 50V
C49	VJ599000	C. CE. TUBLR 0.047uF 16V

* New Parts

Schm Ref.	PART NO.	Description
C68	VJ836900	C. EL 10uF 16V
C69	VJ836900	C. EL 10uF 16V
C71	VA777400	C. CE 120pF 50V (A)
D1	VD631600	DIODE 1SS133, 176, HSS104
D2	VD631600	DIODE 1SS133, 176, HSS104
D3	VM974500	DIODE. ZENR HZS6C2TD 6.0V
Fi1	GG000560	FLTR. CE SFE10.7MS3GHY-A
Fi2	GG000560	FLTR. CE SFE10.7MS3GHY-A
Fi3	VC219000	FLTR. CE SFZ450JL3
IC1	XB760A00	IC LA1266
IC2	XB818A00	IC LM7000N
IC3	iG158100	IC LA3401
L1	Vi546100	COIL 220uH
L2	Vi546100	COIL 220uH
L3	Vi546100	COIL 220uH
PK1	VQ987600	TUNER. PK ENV-17297G1 (A)
PK1	VR242200	TUNER. PK ENV-17298G1 (UCR)
PK2	Vi027300	COILPAK. AM
Q1	iC053540	TR 2SC535 A, B, C
Q2	VC218900	TR 2SC3330 R, S, T
Q3	VC218900	TR 2SC3330 R, S, T
Q4	iC053540	TR 2SC535 A, B, C
Q5	VC218700	TR 2SA1317 R, S, T
Q6	VC218900	TR 2SC3330 R, S, T
Q7	iC1815C0	TR 2SC1815 Y
SW1	VF541200	SW. SLIDE SSSF11 (R)
T1	VC218600	COIL. DT. FM 10.7MHz
T2	GE100470	COIL. IF. AM 450KHz
T3	VQ365700	FLTR. LP FB-7SG (A)
T4	VQ138200	FLTR. LC 19KHz
T5	VQ138200	FLTR. LC 19KHz
TE1	LA005800	TERM. ANT YKD31-0215
TP1	VI969000	PIN. TEST IRS-2049
TP2	VI969000	PIN. TEST IRS-2049
VR1	VJ694000	VR. TRIM B47K Ω
VR2	VJ694000	VR. TRIM B47K Ω
XL1	QU003800	RSNR. CRYST 7.2MHz
XL2	GG000750	RSNR. CE 18.95KHz
	BB071360	SCR. TERM 8.3x13
	VR282500	PLATE ANT.

* New Parts

P.C.B. MAIN

Schm Ref.	PART NO.	Description		
	VS981400	P. C. B.	MAIN(UC)	
	VS981500	P. C. B.	MAIN(R)	
	VS981600	P. C. B.	MAIN(A)	
CB101	VL845100	CN. BS. PIN	7P	
CB102	VD004600	CN. BS. PIN	3P	
CB108	VS839400	CN. BS. PIN	4P	
CB109	VS839500	CN	4P	
CB110	VG879900	CN. BS. PIN	2P	
CB121	VP206500	HOLDER. FUS	EYF-52BC	
CB122	VP206500	HOLDER. FUS	EYF-52BC	
CB125	VP206500	HOLDER. FUS	EYF-52BC(R)	
CB126	VP206500	HOLDER. FUS	EYF-52BC(R)	
CB127	VR358000	CN. BS. PIN	9P	
C101	VQ082700	C. EL	10uF	16V
C102	VQ082700	C. EL	10uF	16V
C103	FG211470	C. CE	47pF	50V
C104	FG211470	C. CE	47pF	50V
C105	Vi715900	C. MYLAR	2200pF	50V
C106	Vi715900	C. MYLAR	2200pF	50V
△ C107	VF760000	C. EL	100uF	10V
△ C108	VF760000	C. EL	100uF	10V
C109	FU351220	C. MICA	22pF	500V(UCR)
C109	FU451150	C. MICA	15pF	500V(A)
C110	FU351220	C. MICA	22pF	500V(UCR)
C110	FU451150	C. MICA	15pF	500V(A)
C111	VR325000	C. MYLAR	100pF	100V
C112	VR325000	C. MYLAR	100pF	100V
C113	VR325000	C. MYLAR	100pF	100V
C114	VR325000	C. MYLAR	100pF	100V
△ C115	VG291200	C. EL	47uF	50V
C116	VG291200	C. EL	47uF	50V
C117	UA654220	C. MYLAR	0.022uF	50V
C118	UA654220	C. MYLAR	0.022uF	50V
C119	UA654100	C. MYLAR	0.01uF	50V(A)
C120	UA654100	C. MYLAR	0.01uF	50V(A)
C121	VJ311800	C. CE. TUBLR	0.01uF	25V(A)
C122	VJ311800	C. CE. TUBLR	0.01uF	25V(A)
C123	UA654100	C. MYLAR	0.01uF	50V(A)
C124	UA654100	C. MYLAR	0.01uF	50V(A)
C125	UR866220	C. EL	2.2uF	50V
C126	UJ895220	C. EL	0.22uF	100V
C127	VN283200	C. EL	1uF	50V
C128	VK534000	C. PP	220pF	200V
C129	VG288900	C. EL	100uF	25V
△ C131	VK699400	C. EL	330uF	63V
C136	VK679700	C. EL	100uF	6.3V
C137	VQ568900	C. EL	100uF	6.3V
△ C138	VJ839100	C. EL	1uF	50V
C139	VG289400	C. EL	3300uF	25V
C140	VG289100	C. EL	330uF	25V
C141	VK574500	C. EL	8200uF	63V
C142	VK574500	C. EL	8200uF	63V
C143	VR325400	C. MYLAR	0.1uF	100V

* New Parts

Schm Ref.	PART NO.	Description		
C144	VR325400	C. MYLAR	0.1uF	100V
C149	VG288900	C. EL	100uF	25V(R)
C150	VG290900	C. EL	10uF	50V(R)
C151	VG289100	C. EL	330uF	25V(UCA)
C151	VK699400	C. EL	330uF	63V(R)
C152	UA654100	C. MYLAR	0.01uF	50V
C157	VS741700	C. CE. SAFTY	0.01uF	275V
C162	UA654100	C. MYLAR	0.01uF	50V(A)
C163	UA654100	C. MYLAR	0.01uF	50V(A)
C164	UA652100	C. MYLAR	100pF	50V(A)
C165	UA652100	C. MYLAR	100pF	50V(A)
C168	VE326000	C. MYLAR. ML	0.1uF	50V
C169	VE326000	C. MYLAR. ML	0.1uF	50V
C172	UA653100	C. MYLAR	1000pF	50V(UCA)
C172	VU019500	C. MYLAR	1000pF	100V(R)
C180	VF964800	C. EL	100uF	16V
C181	VF964800	C. EL	100uF	16V
C182	VE326000	C. MYLAR. ML	0.1uF	50V
C183	VE326000	C. MYLAR. ML	0.1uF	50V
C199	FG214100	C. CE	0.01uF	50V
C202	VE326000	C. MYLAR. ML	0.1uF	50V
C203	VE326000	C. MYLAR. ML	0.1uF	50V
C204	VJ839100	C. EL	1uF	50V
C205	VF964800	C. EL	100uF	16V
D101	VD631600	DIODE	1SS133, 176, HSS104	
D102	VD631600	DIODE	1SS133, 176, HSS104	
D103	VD631600	DIODE	1SS133, 176, HSS104	
D104	VD631600	DIODE	1SS133, 176, HSS104	
D105	VD631600	DIODE	1SS133, 176, HSS104	
D106	VD631600	DIODE	1SS133, 176, HSS104	
D107	VD631600	DIODE	1SS133, 176, HSS104	
D110	VD631600	DIODE	1SS133, 176, HSS104	
D112	VD631600	DIODE	1SS133, 176, HSS104	
D113	VN008700	DIODE	1SS270A	
D114	VD631600	DIODE	1SS133, 176, HSS104	
D115	VD631600	DIODE	1SS133, 176, HSS104	
△ D116	VH770800	DIODE	1SR139-100	
△ D117	VH770800	DIODE	1SR139-100	
△ D118	VH770800	DIODE	1SR139-100	
△ D119	VH770800	DIODE	1SR139-100	
D120	iH001090	DIODE. BRG	S4VB20 2.6A 200V	
D123	VD631600	DIODE	1SS133, 176, HSS104	
D124	VG440300	DIODE. ZENR	MTZJ12C 12V(R)	
D125	VH770800	DIODE	1SR139-100	
D126	VD631600	DIODE	1SS133, 176, HSS104	
D133	VN008700	DIODE	1SS270A	
D134	VN008700	DIODE	1SS270A	
D140	VG438800	DIODE. ZENR	MTZJ8.2A 8.2V	
D141	VG441000	DIODE. ZENR	MTZJ16A 16V	
D142	VD631600	DIODE	1SS133, 176, HSS104	
D143	VG436700	DIODE. ZENR	MTZJ4.3A 4.3V	
D149	VG438800	DIODE. ZENR	MTZJ8.2A 8.2V	
D151	VG442700	DIODE. ZENR	MTZJ24D 24V	

* New Parts

P.C.B. MAIN

Schm Ref.	PART NO.	Description
△ D158	VG441000	DIODE. ZENR MTZJ16A 16V
△ F101	KB001660	FUSE T1. 60A 250V(A)
△ F101	VS823100	FUSE 6. 0A 125V(UCR)
△ F103	KB001660	FUSE T1. 60A 250V(R)
△ FR101	VK188200	R. FUS 220 Ω 1/4W
△ FR102	VK188200	R. FUS 220 Ω 1/4W
△ JK103	VK480600	OUTLET. AC (UCR)
L101	VU038100	COIL 1. 5uH
L102	VU038100	COIL 1. 5uH
Q101	VK432900	TR 2SD1915F S, T
Q102	VK432900	TR 2SD1915F S, T
△ Q103	iA097000	TR 2SA970 GR, BL
△ Q104	iA097000	TR 2SA970 GR, BL
△ Q105	iA097000	TR 2SA970 GR, BL
△ Q106	iA097000	TR 2SA970 GR, BL
△ Q107	iC1815C0	TR 2SC1815 Y
△ Q108	iC1815C0	TR 2SC1815 Y
△ Q109	iC1815C0	TR 2SC1815 Y
△ Q110	iC1815C0	TR 2SC1815 Y
△ Q111	VE198700	TR 2SA1145 O, Y
△ Q112	VE198700	TR 2SA1145 O, Y
△ Q113	iA101521	TR 2SA1015 Y
△ Q114	iA101521	TR 2SA1015 Y
△ Q115	VE198800	TR 2SC2705 O, Y
△ Q116	VE198800	TR 2SC2705 O, Y
△ Q117	VC218900	TR 2SC3330 R, S, T
△ Q118	VC218900	TR 2SC3330 R, S, T
△ Q119A	iX603580	TR 2SA1358
△ Q119B	iX603590	TR 2SC3421
△ Q120A	iX603580	TR 2SA1358
△ Q120B	iX603590	TR 2SC3421
△ # Q123A	iX606460	TR 2SA1492 O, P, Y
△ # Q123B	iX606470	TR 2SC3856 O, P, Y
△ # Q124A	iX606460	TR 2SA1492 O, P, Y
△ # Q124B	iX606470	TR 2SC3856 O, P, Y
Q127	VP883100	TR 2SC1890A D, E
Q128	VP883100	TR 2SC1890A D, E
Q129	VP883000	TR 2SA893A D, E
Q132	iC1815C0	TR 2SC1815 Y
Q133	VK432900	TR 2SD1915F S, T
Q134	VP883100	TR 2SC1890A D, E
Q135	VF325300	TR. DGT DTA123ESIP
Q136	VF325300	TR. DGT DTA123ESIP
Q137	VF325300	TR. DGT DTA123ESIP
Q140	iC224030	TR 2SC2240 GR, BL
Q141	VP768300	TR 2SC4466 O, P, Y(R)
Q142	iC1815C0	TR 2SC1815 Y(R)
△ R125	HL315100	R. MIL. OXD 100 Ω 1W
△ R126	HL315100	R. MIL. OXD 100 Ω 1W
△ R127	HL315100	R. MIL. OXD 100 Ω 1W
△ R128	HL315100	R. MIL. OXD 100 Ω 1W
△ R129	HV456270	R. CAR. FP 2. 7K Ω 1/4W
△ R130	HV456270	R. CAR. FP 2. 7K Ω 1/4W

* New Parts

Schm Ref.	PART NO.	Description
△ R131	HV456100	R. CAR. FP 1K Ω 1/4W
△ R132	HV456100	R. CAR. FP 1K Ω 1/4W
△ R135	HZ003780	R. MIL. PLAT 0. 22 Ω +0. 22 5W
△ R136	HZ003780	R. MIL. PLAT 0. 22 Ω +0. 22 5W
△ R143	HL314100	R. MIL. OXD 10 Ω 1W
△ R144	HL314100	R. MIL. OXD 10 Ω 1W
△ R145	HL314100	R. MIL. OXD 10 Ω 1W
△ R146	HL314100	R. MIL. OXD 10 Ω 1W
△ R150	VP941800	R. MIL. OXD 10K Ω 1W
△ R152	HL314470	R. MIL. OXD 47 Ω 1W
△ R154	HL315470	R. MIL. OXD 470 Ω 1W
△ R167	HL315470	R. MIL. OXD 470 Ω 1W
△ R168	HL315470	R. MIL. OXD 470 Ω 1W
△ R171	HV453100	R. CAR. FP 1 Ω 1/4W
△ R172	HV453100	R. CAR. FP 1 Ω 1/4W
R177	HL315680	R. MIL. OXD 680 Ω 1W
R178	HL315680	R. MIL. OXD 680 Ω 1W
△ R203	VP939700	R. MIL. FLM 4. 7 Ω 1W
△ R204	VP939700	R. MIL. FLM 4. 7 Ω 1W
△ R205	VP939700	R. MIL. FLM 4. 7 Ω 1W
△ R206	VP939700	R. MIL. FLM 4. 7 Ω 1W
R214	VP939700	R. MIL. FLM 4. 7 Ω 1W(A)
R215	VP939700	R. MIL. FLM 4. 7 Ω 1W(A)
△ R230	HL325470	R. MIL. OXD 470 Ω 2W
△ R278	HL325470	R. MIL. OXD 470 Ω 2W
△ R279	HL326120	R. MIL. OXD 1. 2K Ω 2W
△ R280	HL315470	R. MIL. OXD 470 Ω 1W
R283	HV453470	R. CAR. FP 4. 7 Ω 1/4W
R286	HV455270	R. CAR. FP 270 Ω 1/4W
R287	HV455270	R. CAR. FP 270 Ω 1/4W
R288	HV456100	R. CAR. FP 1K Ω 1/4W
R289	HV456100	R. CAR. FP 1K Ω 1/4W
△ RY101	VK438300	RELAY DH24D2-OT/M2
△ RY102	VK438300	RELAY DH24D2-OT/M2
RY103	VT561500	RELAY DC JW2ASN-DC24V
RY104	VH230800	RELAY G5P-1-DC12V
△ SW104	VA961800	VOLT. SELCT ESE-37247-F(R)
△ T101	XC083A00	TRANS. PWR (UC)
△ T101	XQ486B00	TRANS. PWR (A)
△ T101	XS589A00	TRANS. PWR (R)
TE101	VC313700	TERM. SP 8P (UCR)
TE101	VK506200	TERM. SP 8P (A)
	VJ828000	PIN IMSA-6024-03E
	BB071360	SCR. TERM 8. 3x13
	BB070700	GND. MIL

* New Parts

P.C.B. FUNCTION

Schm Ref.	PART NO.	Description		
*	VZ853000	P. C. B.	FUNCTION	
CB301	VQ961400	CN. BS. PIN	11P	
CB302	VQ963200	CN. BS. PIN	11P	
CB303	VK026500	CN. BS. PIN	6P	
CB304	Vi878400	CN. BS. PIN	6P	
CB305	Vi878500	CN. BS. PIN	7P	
CB306	VK025100	CN. BS. PIN	7P	
CB307	VQ961000	CN. BS. PIN	7P	
CB308	VQ962800	CN. BS. PIN	7P	
CB309	VB858200	CN. BS. PIN	3P	
CB310	VQ044600	CN. BS. PIN	13P	
CB311	VD004600	CN. BS. PIN	3P	
CB315	VB390800	CN. BS. PIN	12P	
CB316	VD004800	CN. BS. PIN	5P	
CB317	VQ963600	CN. BS. PIN	15P	
CB318	VQ962700	CN. BS. PIN	6P	
C303	VQ462600	C. MYLAR	220pF	50V
C304	VQ462600	C. MYLAR	220pF	50V
C305	VG286900	C. EL	220uF	10V
C306	VG286900	C. EL	220uF	10V
C307	UA654330	C. MYLAR	0.033uF	50V
C308	UA654330	C. MYLAR	0.033uF	50V
C309	UA653910	C. MYLAR	9100pF	50V
C310	UA653910	C. MYLAR	9100pF	50V
C311	VG290900	C. EL	10uF	50V
C312	VG290900	C. EL	10uF	50V
C313	Vi715900	C. MYLAR	2200pF	50V
C314	Vi715900	C. MYLAR	2200pF	50V
C315	VG288900	C. EL	100uF	25V
C316	VG288900	C. EL	100uF	25V
C317	UA652100	C. MYLAR	100pF	50V
C318	UA652100	C. MYLAR	100pF	50V
C319	VF466800	C. CE. TUBLR	100pF	50V
C320	VF466800	C. CE. TUBLR	100pF	50V
C321	UA652100	C. MYLAR	100pF	50V
C322	UA652100	C. MYLAR	100pF	50V
C323	VF466800	C. CE. TUBLR	100pF	50V
C324	VF466800	C. CE. TUBLR	100pF	50V
C325	VQ645600	C. MYLAR	100pF	50V
C326	VQ645600	C. MYLAR	100pF	50V
C327	VE021900	C. EL	4.7uF	100V
C328	VE021900	C. EL	4.7uF	100V
C329	VQ082700	C. EL	10uF	16V
C330	VQ082700	C. EL	10uF	16V
C331	Vi715900	C. MYLAR	2200pF	50V
C332	Vi715900	C. MYLAR	2200pF	50V
C333	VG287800	C. EL	330uF	16V
C334	VG287800	C. EL	330uF	16V
C335	VG287800	C. EL	330uF	16V
C336	VG287800	C. EL	330uF	16V
C337	FG211470	C. CE	47pF	50V
C338	FG211470	C. CE	47pF	50V
C339	VG290300	C. EL	0.47uF	50V

* New Parts

Schm Ref.	PART NO.	Description		
C340	VG290300	C. EL	0.47uF	50V
C341	Vi377400	C. EL	4.7uF	63V
C342	Vi377400	C. EL	4.7uF	63V
C343	VF466700	C. CE. TUBLR	47pF	50V
C344	VF466700	C. CE. TUBLR	47pF	50V
C345	VG290900	C. EL	10uF	50V
C346	VG290900	C. EL	10uF	50V
C347	Vi715900	C. MYLAR	2200pF	50V
C348	Vi715900	C. MYLAR	2200pF	50V
C349	UA655120	C. MYLAR	0.12uF	50V
C350	UA655120	C. MYLAR	0.12uF	50V
C351	UA655120	C. MYLAR	0.12uF	50V
C352	UA655120	C. MYLAR	0.12uF	50V
C353	UA654330	C. MYLAR	0.033uF	50V
C354	UA654330	C. MYLAR	0.033uF	50V
C355	UA654560	C. MYLAR	0.056uF	50V
C356	UA654560	C. MYLAR	0.056uF	50V
C357	VG278900	C. CE. TUBLR	680pF	50V
C358	VG278900	C. CE. TUBLR	680pF	50V
C361	VF466800	C. CE. TUBLR	100pF	50V
C362	VF466800	C. CE. TUBLR	100pF	50V
C363	VE326000	C. MYLAR. ML	0.1uF	50V
C364	VE326000	C. MYLAR. ML	0.1uF	50V
C366	Vi716700	C. MYLAR	0.01uF	50V
C367	UA654100	C. MYLAR	0.01uF	50V
C368	UA654100	C. MYLAR	0.01uF	50V
C382	VJ836900	C. EL	10uF	16V
C383	UJ638330	C. EL	330uF	16V
C384	VH053100	C. CE. TUBLR	0.1uF	50V
C385	VH053100	C. CE. TUBLR	0.1uF	50V
C386	VF466700	C. CE. TUBLR	47pF	50V
C387	VF466700	C. CE. TUBLR	47pF	50V
C388	VF466700	C. CE. TUBLR	47pF	50V
C389	VF466700	C. CE. TUBLR	47pF	50V
C390	VF466700	C. CE. TUBLR	47pF	50V
C391	UR848470	C. EL	470uF	25V
C392	FG214100	C. CE	0.01uF	50V
D301	VR711500	LED(or)	SLR-325DC	
D302	VR711500	LED(or)	SLR-325DC	
D303	VD631600	DIODE	1SS133, 176, HSS104	
D304	VD631600	DIODE	1SS133, 176, HSS104	
D418	VG440300	DIODE. ZENR	MTZJ12C 12V	
IC301	XM356A00	IC	NJM2068LD	
IC302	XM356A00	IC	NJM2068LD	
IC303	XM356A00	IC	NJM2068LD	
JK301	VS899700	JACK. PHONE	JY-6317-02-030	
L301	VB056900	COIL	220uH	
L302	VB056900	COIL	220uH	
PJ301	VV377000	JACK. PIN	2P	
PJ302	VV377000	JACK. PIN	2P	
PJ303	VT029000	JACK. PIN	4P	
PJ304	VJ794600	JACK. PIN	6P	
Q301	VK432900	TR	2SD1915F S, T	

* New Parts

P.C.B. FUNCTION & OPERATION

Schm Ref.	PART NO.	Description		
Q302	VK432900	TR	2SD1915F S, T	
Q303	VG721700	TR. DGT	DTA144ES	
Q304	VD678700	TR. DGT	DTC114ES	
Q315	VS826900	TR	2SD2375 Q, P	
R319	HL315470	R. MTL. OXD	470Ω 1W	
R320	HL315470	R. MTL. OXD	470Ω 1W	
R353	HL315100	R. MTL. OXD	100Ω 1W	
R354	HL315100	R. MTL. OXD	100Ω 1W	
R361	HL315470	R. MTL. OXD	470Ω 1W	
R362	HL315470	R. MTL. OXD	470Ω 1W	
SW301	VT146000	SW. RT	SRBAA46	
SW302	VT021100	SW. RT	RS003-A046BHN20F13	
SW303	VP870800	SW. PUSH	SPUL12	
SW304	VP870800	SW. PUSH	SPUL12	
SW305	V2190100	SW. PUSH	SPUP22 2	
TE301	LA002110	TERM. WRAP	2P	
VR301	V2342500	VR. MTR	A100KΩ	
VR302	VP741800	VR	B20KΩ	
VR303	VP741900	VR	G25KΩ	
VR304	VP700700	VR	A100KΩ	
VR305	VP742000	VR	MN100KΩ	
	VJ828000	PIN	IMSA-6024-03E	
	BB071360	SCR. TERM	8.3x13	
	VR264300	PLATE. GND		
*	VZ928400	P. C. B.	OPERATION (UC)	
*	VZ928500	P. C. B.	OPERATION (R)	
*	VZ928600	P. C. B.	OPERATION (A)	
CB501	VQ044400	CN. BS. PIN	9P	
CB502	VQ044600	CN. BS. PIN	13P	
CB503	VQ960900	CN. BS. PIN	6P	
C501	VJ836900	C. FL	10uF	16V
C502	VJ836900	C. EL	10uF	16V
C503	VS672200	C. EL	4700uF	5.5V
C504	VH053100	C. CE. TUBLR	0.1uF	50V
C505	VH053100	C. CE. TUBLR	0.1uF	50V
C506	VJ839000	C. EL	0.47uF	50V
C507	VH053100	C. CE. TUBLR	0.1uF	50V
C508	VJ837200	C. EL	47uF	16V
C510	VJ836900	C. EL	10uF	16V
C511	UJ619100	C. EL	1000uF	6.3V
C512	VJ836900	C. EL	10uF	16V
C513	UJ619100	C. EL	1000uF	6.3V
C514	FG251220	C. CE	22pF	50V
* C515	UR828470	C. EL	470uF	10V
C516	VH053100	C. CE. TUBLR	0.1uF	50V
C520	VJ836900	C. EL	10uF	16V
C521	VF760000	C. EL	100uF	10V
C522	VF760000	C. EL	100uF	10V
C523	VJ836900	C. EL	10uF	16V
C524	UJ667470	C. EL	47uF	50V

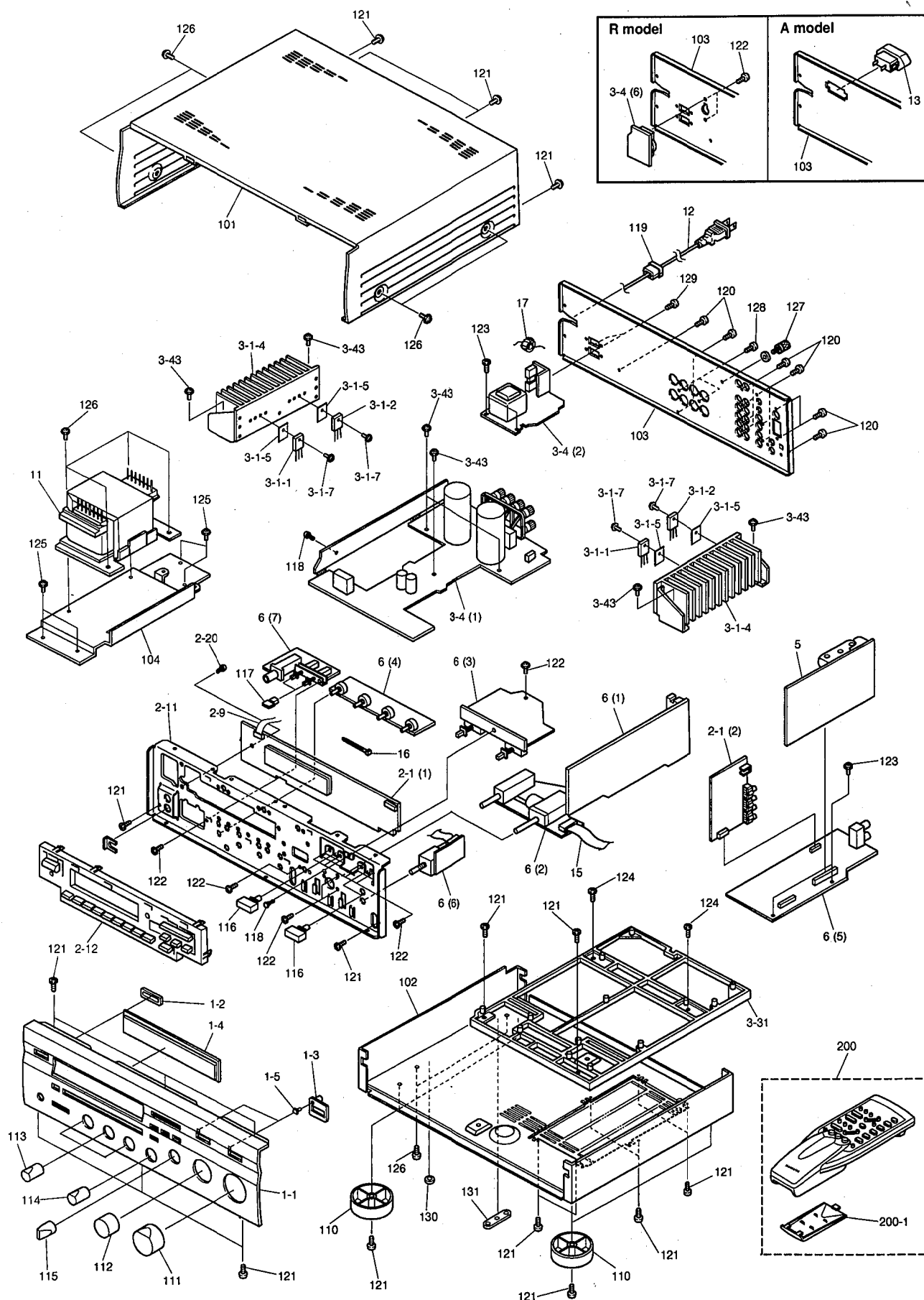
* New Parts

Schm Ref.	PART NO.	Description		
C525	VH053100	C. CE. TUBLR	0.1uF	50V
C526	VH053100	C. CE. TUBLR	0.1uF	50V
C527	VF467000	C. CE. TUBLR	1000pF	50V(A)
C528	VF467000	C. CE. TUBLR	1000pF	50V(A)
D501	VP489100	LED	SIR-481ST3F(UCA)	
D502	VG437900	DIODE. ZENR	MTZJ6.2A	6.2V
D503	VD631600	DIODE	1SS133, 176, HSS104	
D506	VD631600	DIODE	1SS133, 176, HSS104	
D507	VG437800	DIODE. ZENR	MTZJ5.6C	5.6V
D510	VG437800	DIODE. ZENR	MTZJ5.6C	5.6V
D513	VG435800	DIODE. ZENR	MTZJ3.0A	3.0V
D514	VG436700	DIODE. ZENR	MTZJ4.3A	4.3V
D515	VG438800	DIODE. ZENR	MTZJ8.2A	8.2V
D516	VD631600	DIODE	1SS133, 176, HSS104	
IC501	XU475A00	IC	M38122M2-172SP	
IC502	XF557A00	IC	TA7291S	
IC503	XF557A00	IC	TA7291S	
IC504	XH436A00	IC	LA7956	
JK501	VJ726800	JACK. MNI	(UCA)	
JK502	VJ726800	JACK. MNI	(UCA)	
PJ501	VM750500	JACK. PIN	4P	
Q501	iC174020	TR	2SC1740S R, S	
Q502	iA093320	TR	2SA933S Q, R	
Q503	VG722000	TR. DGT	DTC144ES	
Q504	VD678700	TR. DGT	DTC114ES	
Q505	iC174020	TR	2SC1740S R, S	
Q506	iA101521	TR	2SA1015 Y	
Q507	iC1815C0	TR	2SC1815 Y	
Q508	VP883100	TR	2SC1890A D, E	
SW501	VG392900	SW. TACT	SKHVAA	
SW502	VG392900	SW. TACT	SKHVAA	
SW503	VG392900	SW. TACT	SKHVAA	
SW504	VG392900	SW. TACT	SKHVAA	
SW505	VG392900	SW. TACT	SKHVAA	
SW506	VG392900	SW. TACT	SKHVAA	
SW507	VG392900	SW. TACT	SKHVAA	
SW509	VG392900	SW. TACT	SKHVAA	
SW510	VG392900	SW. TACT	SKHVAA	
SW511	VG392900	SW. TACT	SKHVAA	
SW512	VG392900	SW. TACT	SKHVAA	
SW513	VG392900	SW. TACT	SKHVAA	
SW514	VG392900	SW. TACT	SKHVAA	
SW515	VG392900	SW. TACT	SKHVAA	
SW516	VG392900	SW. TACT	SKHVAA	
SW517	VG392900	SW. TACT	SKHVAA	
U501	VR860700	L. DTCT	SPS-422-1	
V501	VQ915100	FL. DSPLY	8-MT-79GK	
XL501	VE906000	RSNR. CE	4MHz	
	BB071360	SCR. TERM	8.3x13	
	VR519500	SHEET		
	VR380100	SPACER	FL-T6	</

RX-596

EXPLODED VIEW

1
2
3
4
5
6
7



MECHANICAL PARTS

Ref. No.	PART NO.	Description	Remarks	Markets
* 1- 1	VZ529800	FRONT PANEL		
1- 2	VQ793400	BUTTON GUIDE	2P	
1- 3	VH816700	BUTTON GUIDE	10x25	
1- 4	VR010400	WINDOW PANEL		
1- 5	VH897700	LENS	2. 2Lx2. 2	
* 2- 1	VZ928400	P. C. B. ASS'Y	OPERATION	(UC)
* 2- 1	VZ928500	P. C. B. ASS'Y	OPERATION	(R)
* 2- 1	VZ928600	P. C. B. ASS'Y	OPERATION	(A)
2- 9	VR417200	CONNECTOR, FLAT CABLE	9P 250mm	
2-11	VS586400	SUB CHASSIS		
2-12	VS586200	CASE, BUTTON		
2-20	VQ368600	PUSH RIVET	P3555-B	
Δ# 3-1-1	iX606460	TRANSISTOR	2SA1492 O, P, Y	Q123A, 124A
Δ# 3-1-1	iX606470	TRANSISTOR	2SC3856 O, P, Y	Q123B, 124B
3-1-4	VP493100	HEAT SINK ASS'Y		
3-1-5	VK195900	SHEET	19x24	
3-1-7	VK173200	SCREW, TRANSISTOR	3x15 SP FCM3	
3- 4	VS981400	P. C. B. ASS'Y	MAIN	(UC)
3- 4	VS981500	P. C. B. ASS'Y	MAIN	(R)
3- 4	VS981600	P. C. B. ASS'Y	MAIN	(A)
3-31	VS586500	CHASSIS		
3-43	VB770200	PW HEAD P-TITE SCREW	3x10-8 FCM3	
5	VR341800	P. C. B. ASS'Y	TUNER	(UC)
5	VR341900	P. C. B. ASS'Y	TUNER	(R)
5	VR342100	P. C. B. ASS'Y	TUNER	(A)
* 6	VZ853000	P. C. B. ASS'Y	FUNCTION	
Δ 11	XQ213A00	POWER TRANSFORMER		(U)
Δ 11	XQ214A00	POWER TRANSFORMER		(C)
Δ 11	XQ215A00	POWER TRANSFORMER		(R)
Δ 11	XQ216A00	POWER TRANSFORMER		(A)
Δ 12	V2296800	POWER CORD ASS'Y		(A)
Δ 12	VL238100	POWER CORD ASS'Y		(R)
Δ 12	VV437200	POWER CORD ASS'Y		(UC)
Δ 13	VT915100	AC OUTLET	2P	(A)
* 15	MF113180	FLEXIBLE FLAT CABLE	2P 13P 180mm	
16	VU590000	BINDING TIE	CBTD001B	
17	VB933800	FERRITE CORE	BP53RB310190NOA	(UC)
101	VS001200	TOP COVER		
102	VS001400	CHASSIS		
* 103	VZ529400	REAR PANEL		(U)
* 103	VZ529500	REAR PANEL		(C)
* 103	VZ529600	REAR PANEL		(R)
* 103	VZ529700	REAR PANEL		(A)
104	VS586600	FRAME, PCB		
110	VS025000	LEG	D60xH21	
111	VV148800	KNOB	D40	
112	VS742200	KNOB	D32	
113	VV311000	KNOB	D14	
* 114	VZ529900	KNOB	D14L	
115	VS587200	KNOB, SEL	D18	
116	VQ780000	BUTTON	10x25	
117	VQ779000	BUTTON	3x14	
118	VQ368600	PUSH RIVET	P3555-B	

* New Parts

Ref. No.	PART NO.	Description	Remarks	Markets
119	VN158600	CORD STOPPER	No. 2104	
120	VN413300	BIND HEAD BONDING B-T. SCREW	3x8 MFZN2-BL	
121	Ei330086	BIND HEAD B-TITE SCREW	3x8 FCRM3-BL	
122	ED330066	BIND HEAD SCREW	3x6 FCRM3-BL	
123	EX602240	BW HEAD TAPPING SCREW	3x10	
124	EL300480	PW HEAD B-TITE SCREW	3x15-8 FCRM3-BL	
125	VU081700	PAN W. HEAD TAPPING SCREW	4x6-10 MFZN2-BL	
126	EK365090	PW HEAD S-TITE SCREW	4x8-10 FCRM3-BL	
127	AA627310	GROUND TERMINAL		
128	VY731200	BONDING HEAD TAPPING SCREW	3x10 MFNI33	
129	Ei030086	BIND HEAD B-TITE SCREW	3x8 ZMC2-Y	(UCR)
130	VU984400	RING	D14	
131	V2064200	DAMPER		
		ACCESSORIES		
* 200	VZ733400	REMOTE CONTROL TRANSMITTER	SBGH20031A RAX8	
200-1	CX679050	LID	74x34BLALPS	
	VQ147100	ANTENNA, FM	1P 1.4m	
	VR248500	ANTENNA, AM LOOP	1P 1.0m	
	VT948000	ANTENNA ADAPTER		
		BATTERY, MANGANESE	SUM-3, AA, R06	

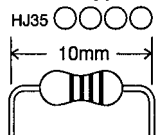
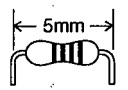
* New Parts

Parts List for Carbon Resistors

Value	1/4W Type Part No.	1/6W Type Part No.	Value	1/4W Type Part No.	1/6W Type Part No.
1.0 Ω	HJ35 3100	HF85 3100	10 kΩ	HF45 7100	HF45 7100
1.8 Ω	HJ35 3180	*	11 kΩ	HF45 7110	HF45 7110
2.2 Ω	HJ35 3220	HF85 3220	12 kΩ	HJ35 7120	HF85 7120
3.3 Ω	HJ35 3330	HF85 3330	13 kΩ	HF45 7130	HF45 7130
4.7 Ω	HJ35 3470	HF85 3470	15 kΩ	HF45 7150	HF45 7150
5.6 Ω	HJ35 3560	HF85 3560	18 kΩ	HF45 7180	HF45 7180
10 Ω	HF45 4100	HF45 4100	22 kΩ	HF45 7220	HF45 7220
15 Ω	HJ35 4150	HF85 4150	24 kΩ	HF45 7240	HF45 7240
22 Ω	HF45 4220	HF45 4220	27 kΩ	HJ35 7270	HF85 7270
27 Ω	HJ35 4270	HF85 4270	30 kΩ	HF45 7300	HF45 7300
33 Ω	HF45 4330	HF45 4330	33 kΩ	HF45 7330	HF45 7330
39 Ω	HJ35 4470	HF85 4390	36 kΩ	HF45 7360	HF45 7360
47 Ω	HF45 4470	HF45 4470	39 kΩ	HF45 7390	HF45 7390
56 Ω	HF45 4560	HF45 4560	47 kΩ	HF45 7470	HF45 7470
68 Ω	HF45 4680	HF45 4680	51 kΩ	HF45 7510	HF45 7510
75 Ω	HF45 4750	HF45 4750	56 kΩ	HF45 7560	HF45 7560
82 Ω	HF45 4820	HF45 4820	62 kΩ	HF45 7620	HF45 7620
91 Ω	HF45 4910	HF45 4910	68 kΩ	HF45 7680	HF45 7680
100 Ω	HF45 5100	HF45 5100	82 kΩ	HF45 7820	HF45 7820
110 Ω	HJ35 5110	HF85 5110	91 kΩ	HF45 7910	HF45 7910
120 Ω	HF45 5120	HF45 5120	100 kΩ	HF45 8100	HF45 8100
150 Ω	HF45 5150	HF45 5150	110 kΩ	HF45 8110	HF45 8110
160 Ω	HJ35 5160	*	120 kΩ	HF45 8120	HF45 8120
180 Ω	HF45 5180	HF45 5180	150 kΩ	HF45 8150	HF45 8150
200 Ω	HF45 5200	HF45 5200	180 kΩ	HF45 8180	HF45 8180
220 Ω	HF45 5220	HF45 5220	220 kΩ	HJ35 8220	HF85 8220
270 Ω	HF45 5270	HF45 5270	270 kΩ	HF45 8270	HF45 8270
330 Ω	HF45 5330	HF45 5330	300 kΩ	HF45 8300	HF45 8300
390 Ω	HF45 5390	HF45 5390	330 kΩ	HF45 8330	HF45 8330
430 Ω	HF45 5430	HF45 5430	390 kΩ	HJ35 8390	HF85 8390
470 Ω	HF45 5470	HF45 5470	470 kΩ	HF45 8470	HF45 8470
510 Ω	HF45 5510	HF45 5510	560 kΩ	HJ35 8560	HF85 8560
560 Ω	HF45 5560	HF45 5560	680 kΩ	HJ35 8680	HF85 8680
680 Ω	HF45 5680	HF45 5680	820 kΩ	HJ35 8820	HF85 8820
820 Ω	HF45 5820	HF45 5820	1.0 MΩ	HF45 9100	HF45 9100
910 Ω	HF45 5910	HF45 5910	1.2 MΩ	HJ35 9120	*
1.0 kΩ	HF45 6100	HF45 6100	1.5 MΩ	HJ35 9150	HF85 9150
1.2 kΩ	HF45 6120	HF45 6120	1.8 MΩ	HJ35 9180	HF85 9180
1.5 kΩ	HF45 6150	HF45 6150	2.2 MΩ	HJ35 9220	HF85 9220
1.8 kΩ	HF45 6180	HF45 6180	3.3 MΩ	HJ35 9330	HF85 9330
2.0 kΩ	HJ35 6200	HF85 6200	3.9 MΩ	HJ35 9390	*
2.2 kΩ	HF45 6220	HF45 6220	4.7 MΩ	HJ35 9470	HF85 9470
2.4 kΩ	HJ35 6240	HF85 6240			
2.7 kΩ	HF45 6270	HF45 6270			
3.0 kΩ	HF45 6300	HF45 6300			
3.3 kΩ	HF45 6330	HF45 6330			
3.6 kΩ	HJ35 6360	HF85 6360			
3.9 kΩ	HF45 6390	HF45 6390			
4.7 kΩ	HF45 6470	HF45 6470			
5.1 kΩ	HF45 6510	HF45 6510			
5.6 kΩ	HF45 6560	HF45 6560			
6.8 kΩ	HF45 6680	HF45 6680			
8.2 kΩ	HF45 6820	HF45 6820			
9.1 kΩ	HF45 6910	HF45 6910			

1/4W Type
HF45 ○○○○

1/6W Type
HF85 ○○○○

RX-596

YAMAHA

RX-596
